

SEAL RING, N2 CENTER TUBE

Rogers-Dierks Part Number RD3013, P10, P20, P30

Pratt & Whitney Part Number 463640, P10, P20, P30

Engine Eligibility:

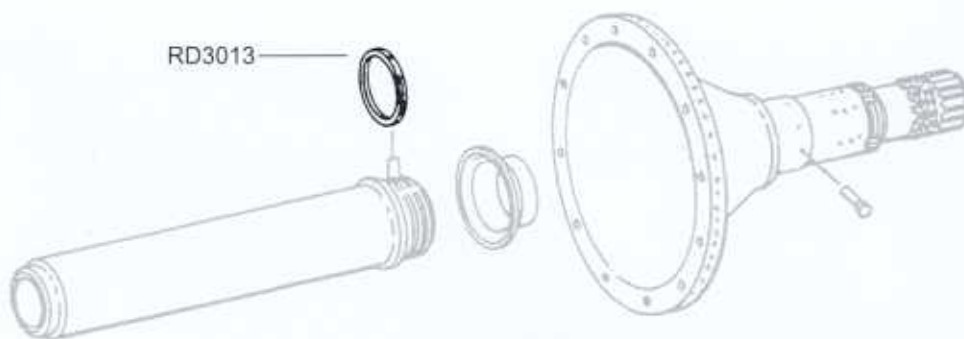
[See FAA/PMA Supplement](#)

IPC Reference:

JT8D-STD-72-36

Quantity Per Engine:

2



Engine Location:

Rear Compressor Group

