

BUSHING-SLEEVE, FLANGED

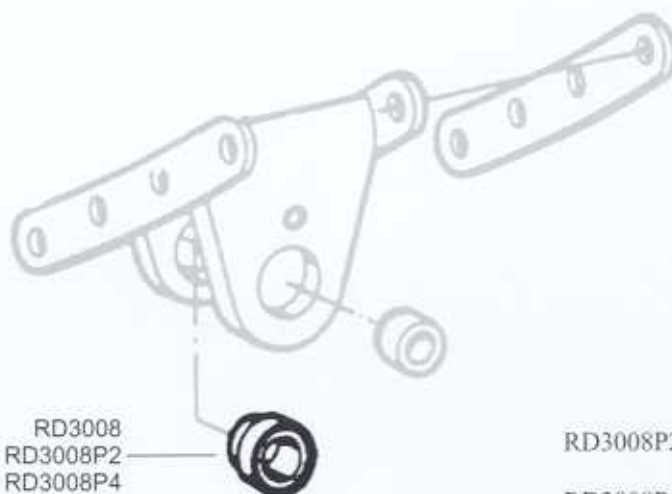
Rogers-Dierks Part Number RD3008, P2, P4
Pratt & Whitney Part Number 564899, P2, P4

Engine Eligibility:

See FAA/PMA Supplement

IPC Reference:
JT8D-STD-72-34

Quantity Per Engine:
2



RD3008P2: .002" Oversize Diameter

RD3008P4: .004" Oversize Diameter

Engine Location:

Compressor Intermediate
Group

