

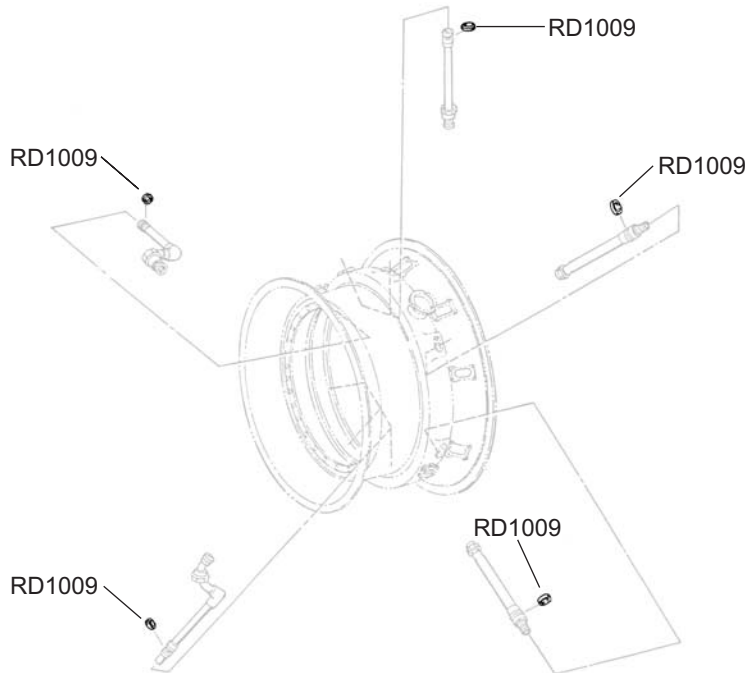
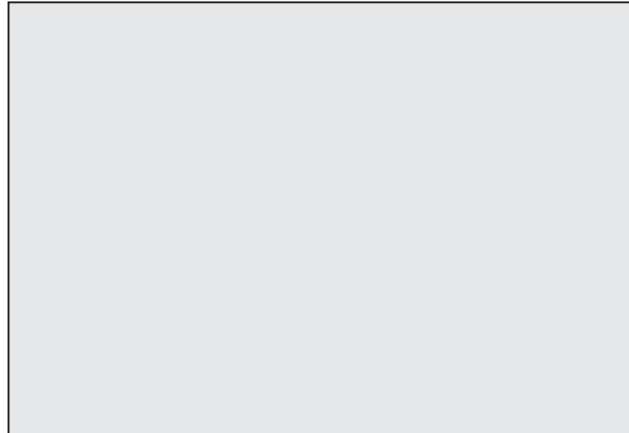
## SEAL RING, #4 BEARING OIL TUBE

McClain Part Number RD1009  
Pratt & Whitney Part Number 770182, 789557, 631728

**Engine Eligibility:**  
[See FAA/PMA Supplement](#)

**IPC Reference:**  
JT8D-STD-72-37

**Quantity Per Engine:**  
6 to 8



**Engine Location:**  
Diffuser Group

