

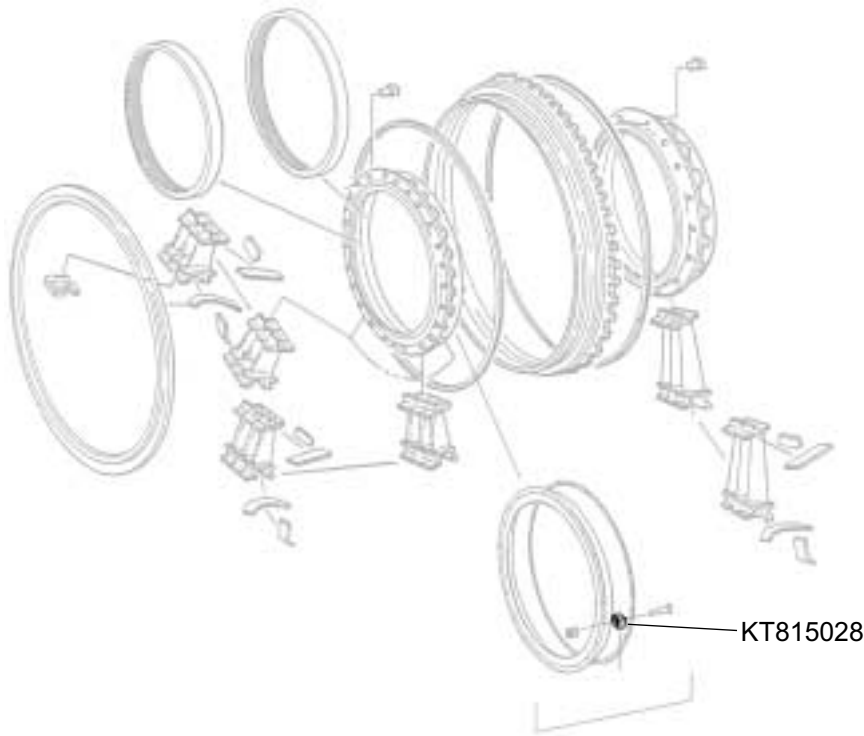
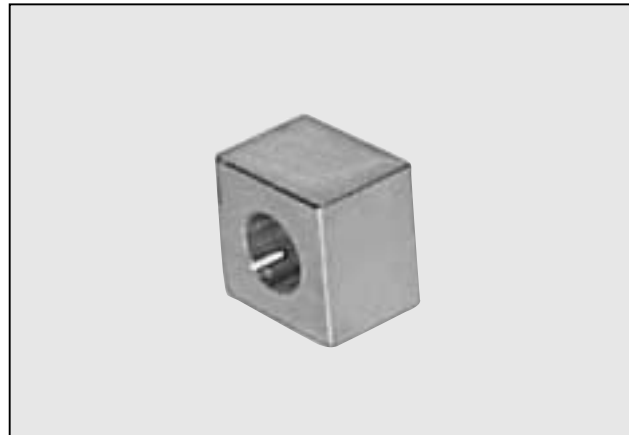
SPACER

Turbine Kinetics Part Number KT815028
Pratt & Whitney Part Number 815028

Engine Eligibility:
See FAA/PMA Supplement Index

IPC Reference:
JT8D-200-72-53

Quantity Per Engine:
23



Engine Location:
Front Compressor Drive
Turbine Group

