

BUSHING - HUB

Jet Avion Part Number JA805161
Pratt & Whitney Part Number 805161

Engine Eligibility:

[See FAA/PMA Supplement](#)

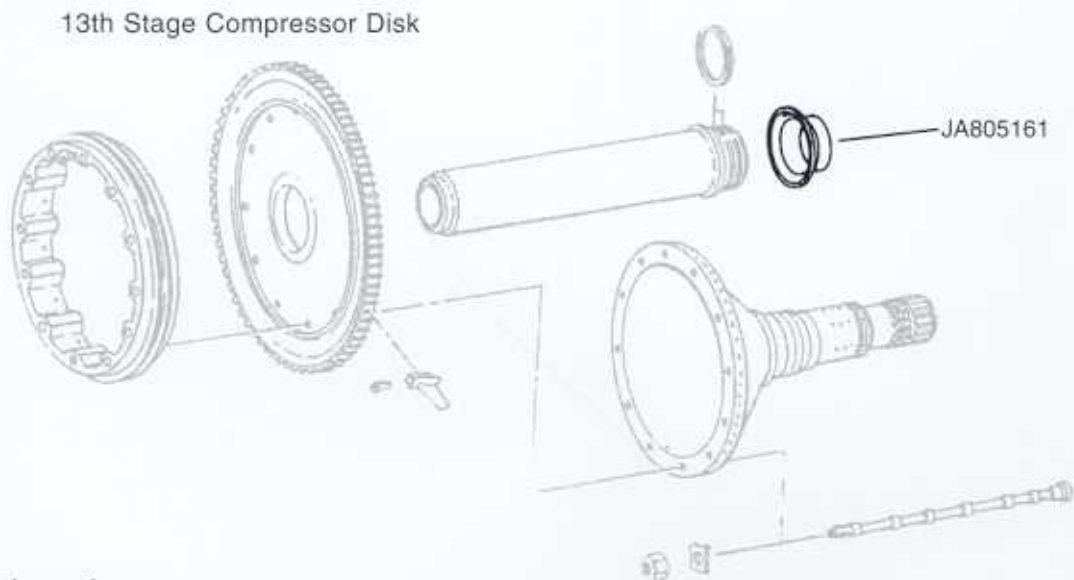
IPC Reference:

JT8D-STD-72-36

JT8D-200-72-36

Quantity Per Engine:

1



Engine Location:

Rear Compressor Group

