

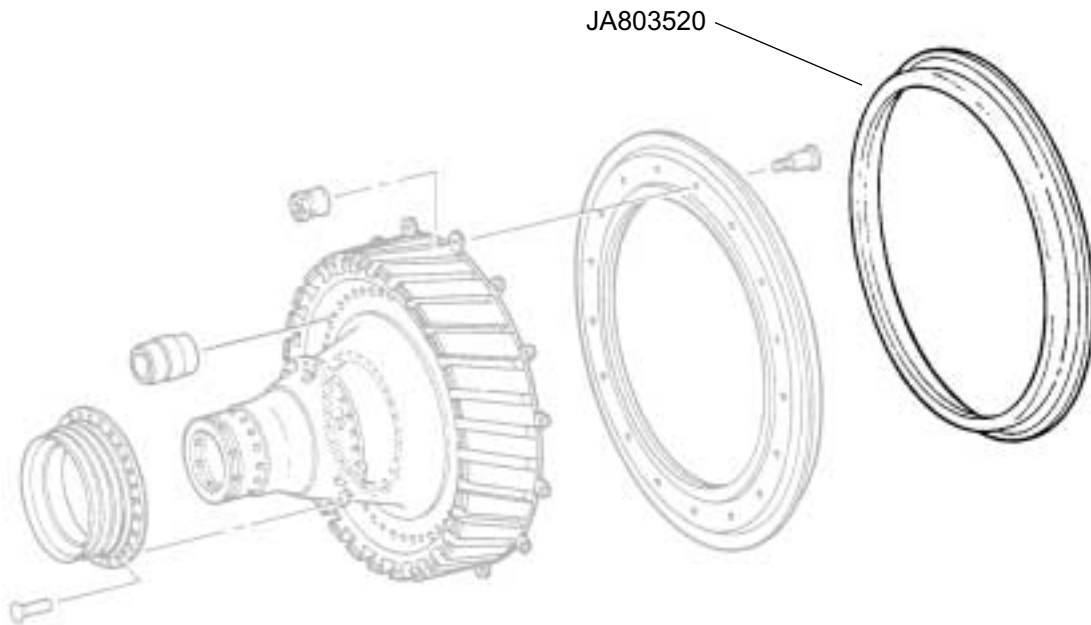
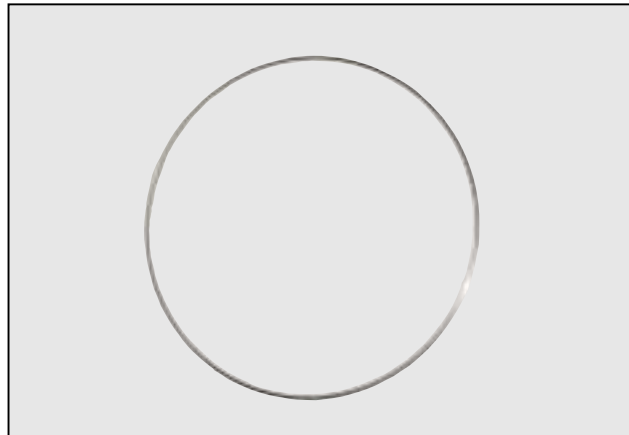
SEAL - AIR, 1 STG

Jet Avion Part Number JA803520
Pratt & Whitney Part Number 803520

Engine Eligibility:
[See FAA/PMA Supplement](#)

IPC Reference:
JT8D-200-72-33

Quantities Per Engine:
1



Engine Location:
Front Compressor Group

