

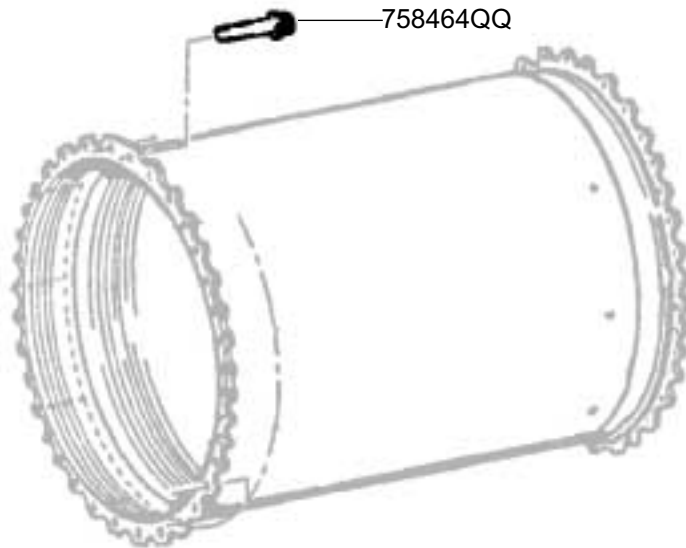
BOLT

Turbine Kinetics Part Number 758464QQ
Pratt & Whitney Part Number 758464

Engine Eligibility:
[See FAA/PMA Supplement](#)

IPC Reference:
JT8D-STD-72-41
JT8D-200-72-41

Quantity Per Engine:
As Required



Engine Location:
Combustion and
No.5 Bearing Section

