

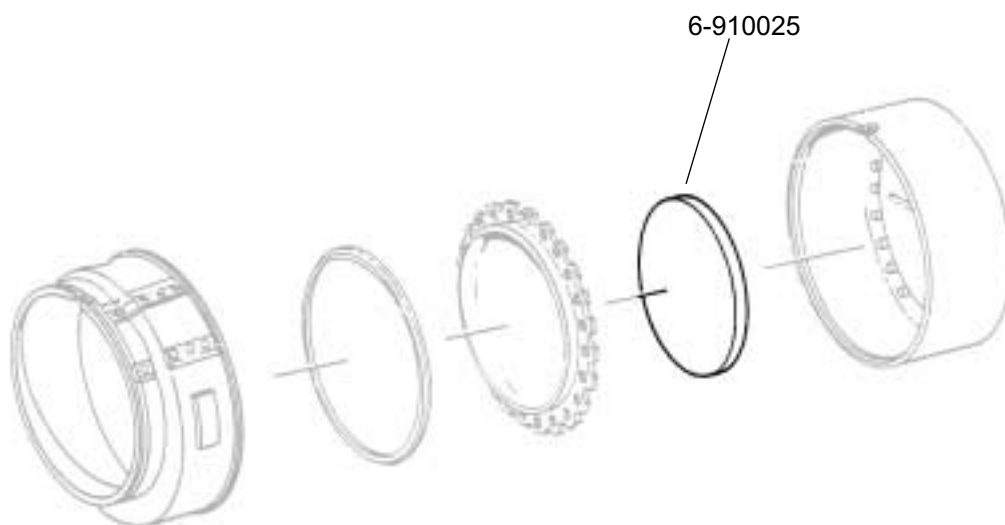
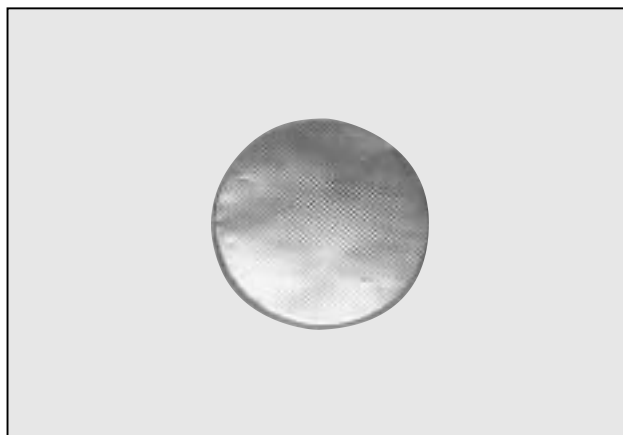
## HEAT SHIELD

Thermal Structures Part Number 6-910025  
Pratt & Whitney Part Number 761746

**Engine Eligibility:**  
[See FAA/PMA Supplement](#)

**IPC Reference:**  
JT8D-72-54

**Quantity Per Engine:**  
1



**Engine Location:**  
Engine Exhaust Case  
Section Group

