

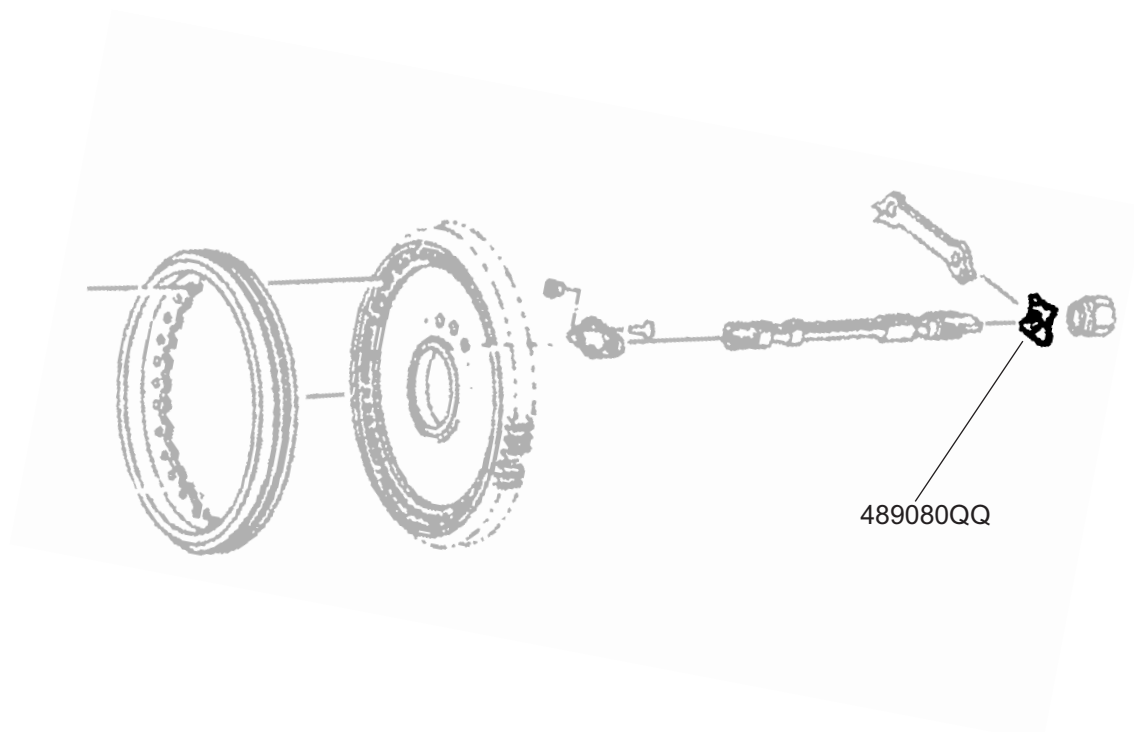
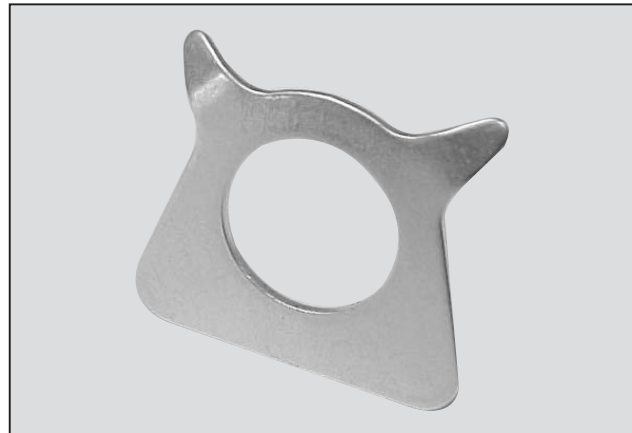
## WASHER, KEY

Turbine Kinetics Part Number 489080QQ  
Pratt & Whitney Part Number 489080

**Engine Eligibility:**  
[See FAA-PMA Supplement Index](#)

**IPC Reference:**  
JT8D-200-72-53

**Quantity Per Engine:**  
12



**Location:**  
Disk-Front Compressor Drive  
Turbine, Second Stage

