

BOLT

Turbine Kinetics Part Number 398226QQ

Pratt & Whitney Part Number 398226

Engine Eligibility:

See FAA/PMA Supplement

IPC Reference:

JT8D-STD-72-34 JT8D-200-72-34

JT8D-STD-72-41 JT8D-200-72-41

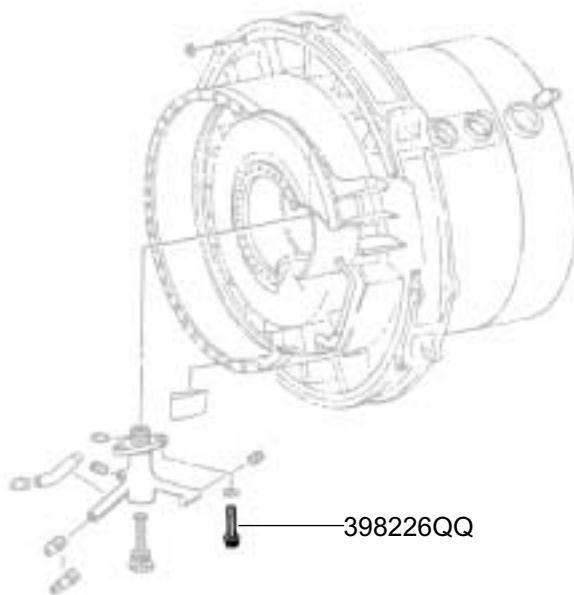
JT8D-STD-72-54 JT8D-200-72-54

JT8D-STD-73-13 JT8D-200-73-13



Quantity Per Engine:

As Required



Engine Location:

Compressor Intermediate Group
and Combustion and No.5
Bearing Group and Additional
Engine Locations

