

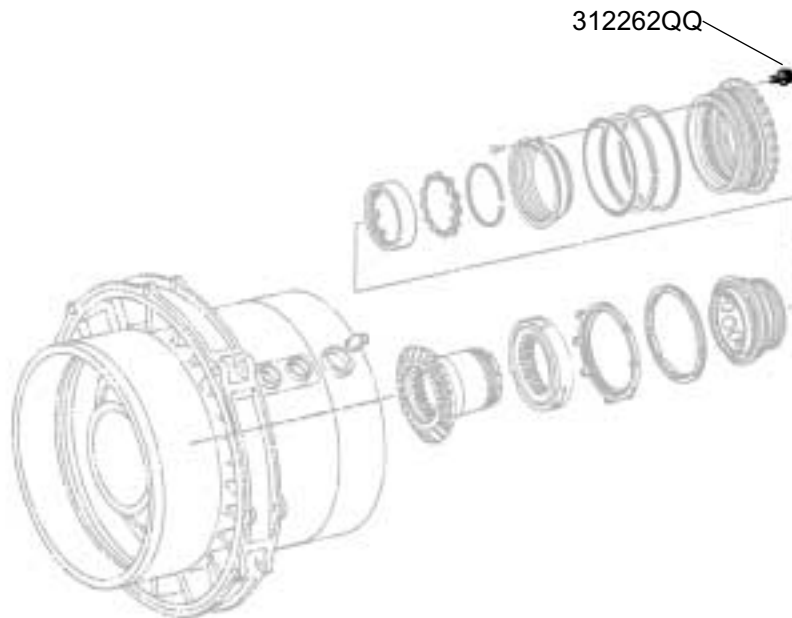
BOLT

Turbine Kinetics Part Number 312262QQ
Pratt & Whitney Part Number 312262

Engine Eligibility:
[See FAA/PMA Supplement](#)

IPC Reference:
JT8D-STD-72-34
JT8D-STD-72-37
and Additional IPC
References

Quantity Per Engine:
As Required



Engine Location:
Compressor Intermediate Group
and Diffuser Group and
Additional Engine Locations

