

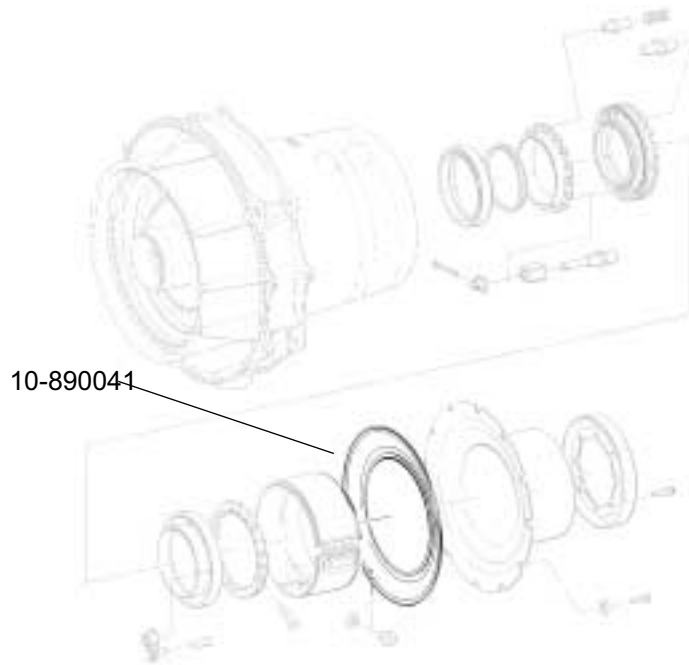
HEAT SHIELD

Thermal Structures Part Number 10-890041
Pratt & Whitney Part Number 802992-01

Engine Eligibility:
[See FAA/PMA Supplement](#)

IPC Reference:
JT8D-200-72-34

Quantities Per Engine:
1



Engine Location:
Compressor Intermediate
Group

