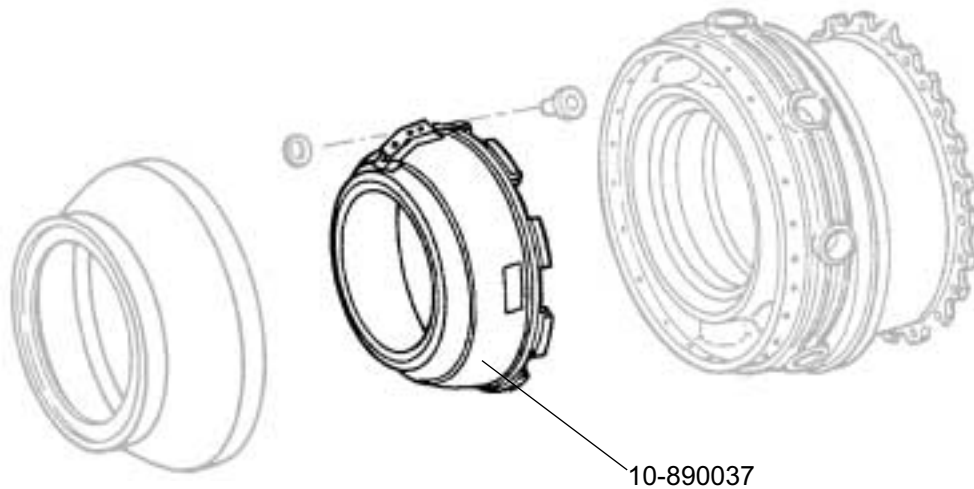


SHIELD - HEAT #6 BEARING ASSEMBLY OF Thermal Structures Part Number 10-890037 Pratt & Whitney Part Number 5006653-01

Engine Eligibility:
[See FAA/PMA Supplement](#)

IPC Reference:
JT8D-72-54

Quantities Per Engine:
1



Engine Location:
Engine Exhaust Case
Section Group

