

## SPACER ASSY, CLASS

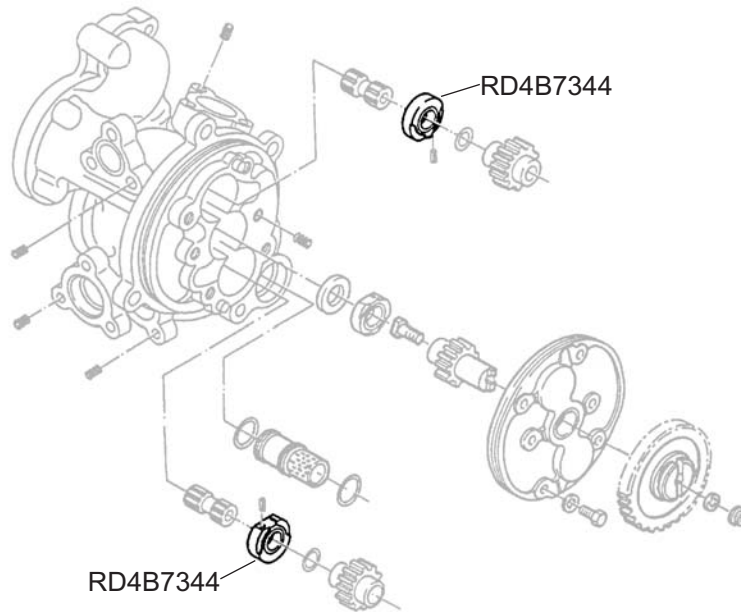
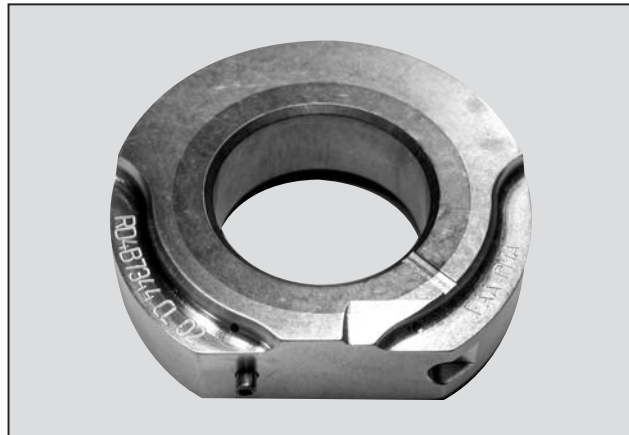
Rogers-Dierks Part Number RD4B7344CL01, CL02

International Aero Engines Part Number 4B7344CL01, CL02

**Model Eligibility:**  
See FAA/PMA Supplement

**IPC Reference:**  
V2500-79-22

**Quantity Per Engine:**  
4



**Engine Location:**  
Scavenge Oil Pump

