

## SEAL, PYLON TO NACELLE (LH, RH)

Seal Dynamics Part Number MM670-37190-001SD, MM670-37190-002SD

Bombardier Aerospace Corporation Part Number MM670-37190-001, MM670-37190-002

[Next Higher Assembly Part : MM670-37016-001, -002](#)

[- Seal – Instl Pylon \(LH, RH\)](#)

**Eligibility:**

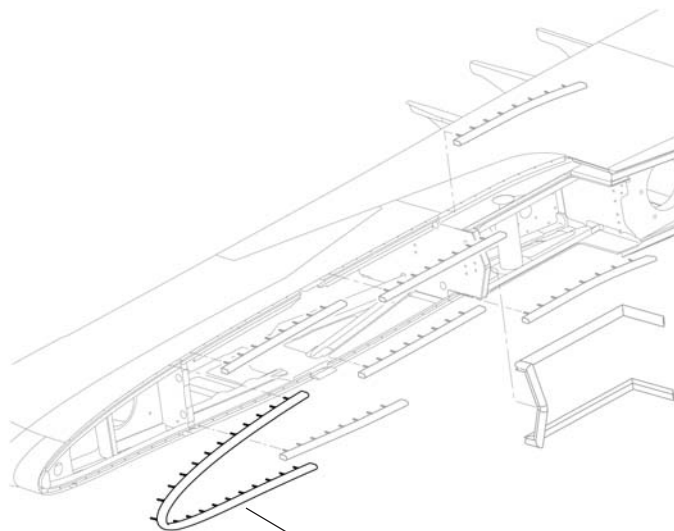
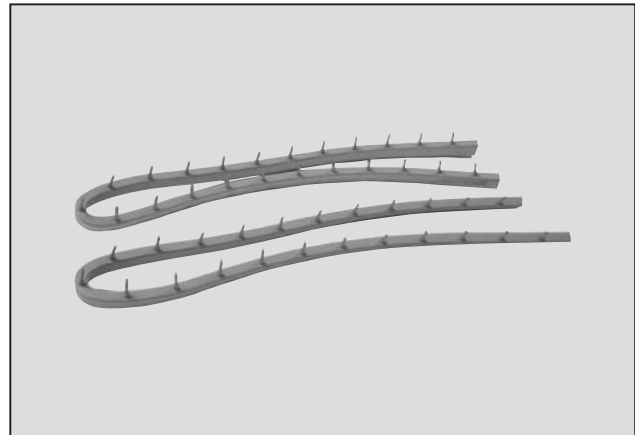
[See FAA-PMA Supplement](#)

**IPC Reference:**

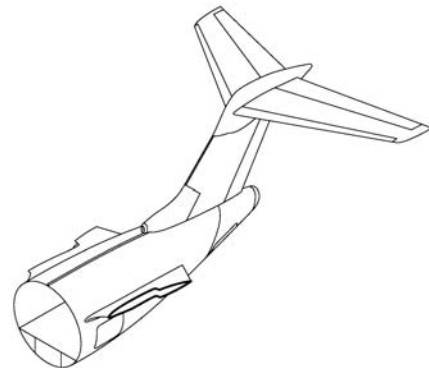
CL-600-54-52

**Quantity:**

1



MM670-37190-001SD  
MM670-37190-002SD



**Location:**

Pylon Seals