

HEICO

BUMPER - PAN DOWN ENGINE - RH

Jet Avion Part Number: M740-0160-510

Goodrich Part Number: 740-0160-510

Next Higher Assembly Part Number: 745-0012-679, 745-0012-529 - Duct Assy Fixed (RH Side)

Eligibility:

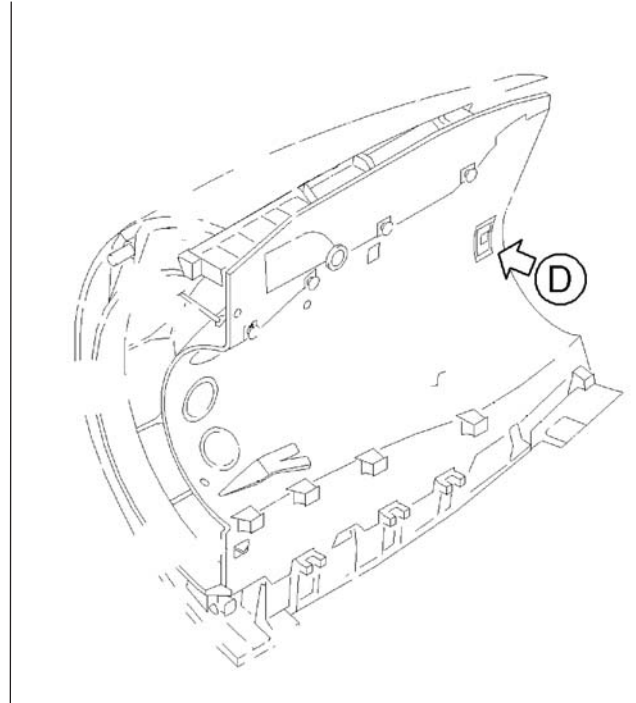
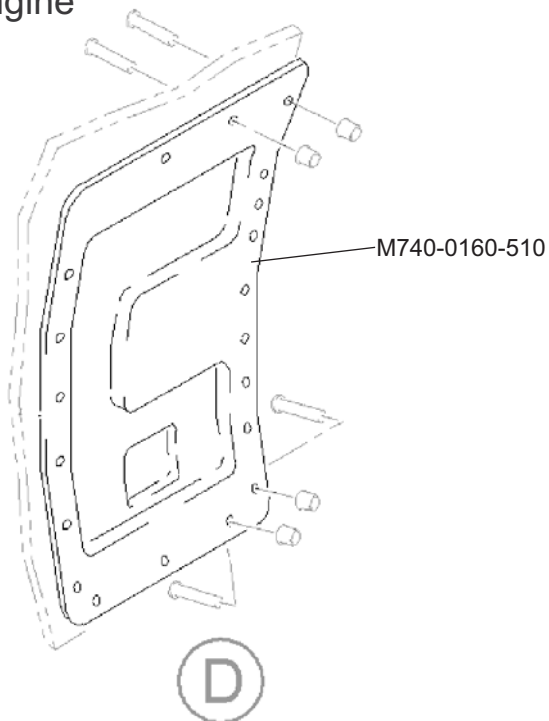
[See FAA PMA Supplement](#)

IPC Reference:

78-30

Quantity:

1 per Engine



Location:

Fixed Duct Assy (RH Side)