

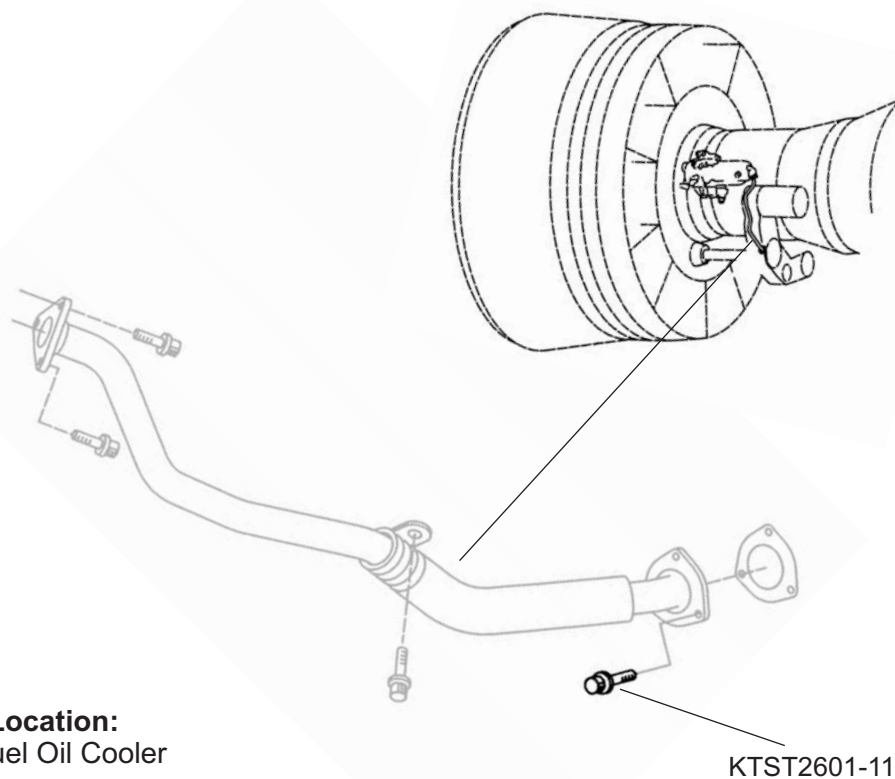
## BOLT, MACH, DH

Turbine Kinetics Part Number KTST2601-11  
Pratt & Whitney Part Number ST2601-11

**Engine Eligibility:**  
[See FAA-PMA Supplement Index](#)

**IPC Reference:**  
PW4000-73-11, 75-22, 79-22

**Units Per Assembly:**  
23



**Engine Location:**  
Tubes-Fuel Oil Cooler

KTST2601-11