

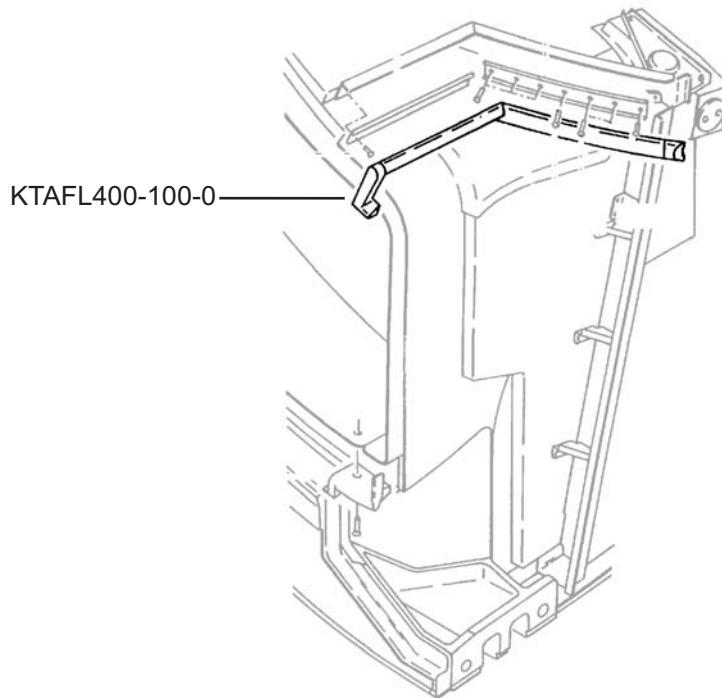
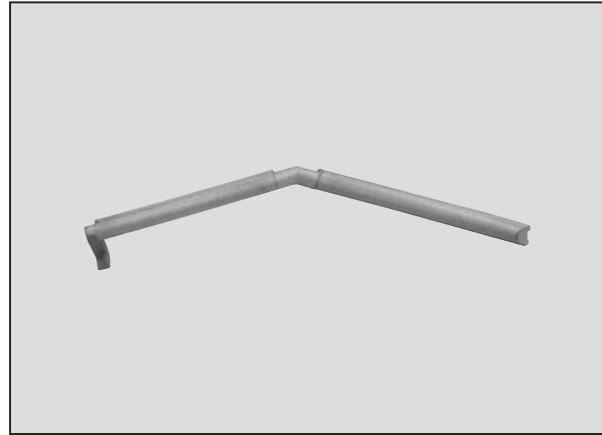
SEAL-BOX BLOCK ENGINE (RH)

Turbine Kinetics Part Number KTAFL400-100-0
Goodrich Part Number AFL400-100-0
[Next Higher Assembly Part Number: AFL011-021-0](#)
[- Door-Reverser Half \(LH\)](#)

Eligibility:
[See FAA/PMA Supplement](#)

IPC Reference:
CFM56-5C-78-30

Quantity:
one each



Location:
Reverser Half Door