

SEAL-RECOUP DUCT

Turbine Kinetics Part Number KT9077M17G01

General Electric Part Number 9077M17G01

[Next Higher Assembly Part Number: 9690M05G01](#)

[- Reverser Assy - LH Fan](#)

Eligibility:

[See FAA/PMA Supplement](#)

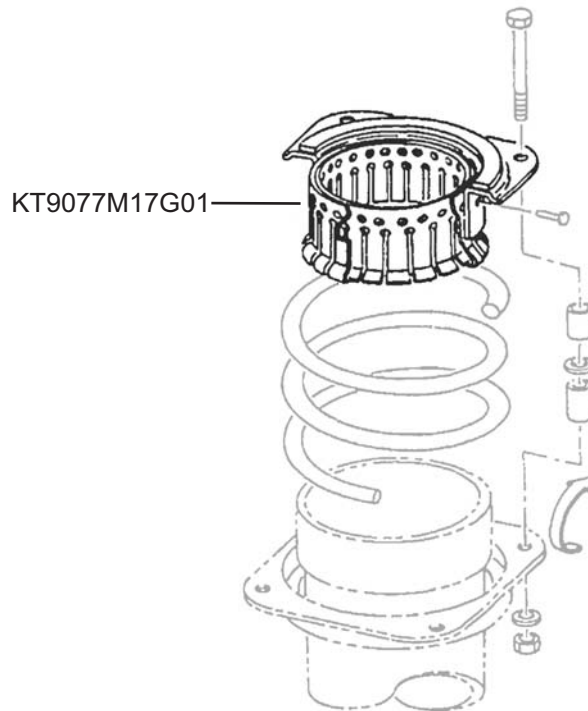
IPC Reference:

CF6-78-32



Quantity:

1



Location:

Reverser Assy - LH Fan