

NUT-SLFLKG, HEX

Turbine Kinetics Part Number KT558434

Pratt & Whitney Part Number 558434

[Next Higher Assembly Part Number: 22640-005](#)

- Signal Probes

Eligibility:

[See FAA/PMA Supplement](#)

IPC Reference:

JT9D-77-23, JT9D-77-24, JT9D-77-25

JT9D73-21, PW4000-73-23

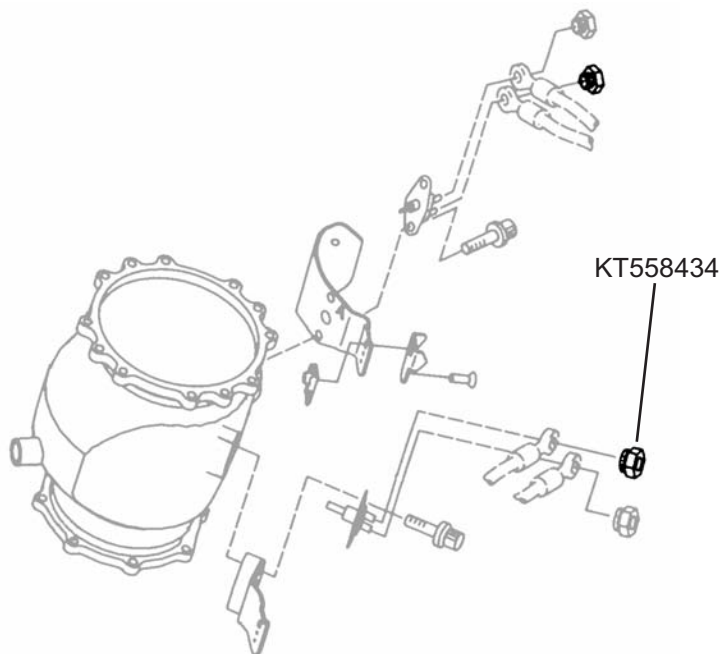
PW4000-75-35, PW4000-79-22

PW4000-73-21, PW4000-75-32



Quantity:

From 6 to 14



Location:

Valves-2.9 Bleed.

Probes-2.9 Bleed Valve Thermocouple