

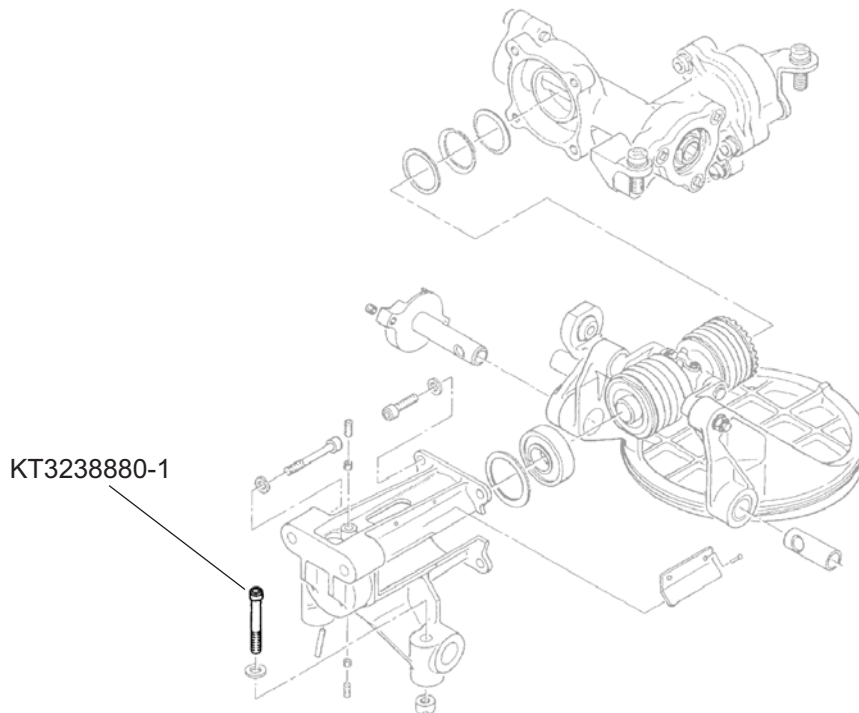
SCREW-CAP-SOCKET HEAD

Turbine Kinetics Part Number KT3238880-1
CFM International Seat Part Number 3238880-1

Eligibility:
[See FAA-PMA Supplement](#)

IPC Reference:
CFM56-75-31

Quantity:
2



Location:
Master Ballscrew Actuator Assembly