

PROBE, MAGNETIC

Turbine Kinetics Part Number KT1A6794-1

Eaton Corp Part Number 1A6794-1

Next Higher Assembly Part Number: 1A6794
- Chip Magnetic-Detector Assy

Eligibility:

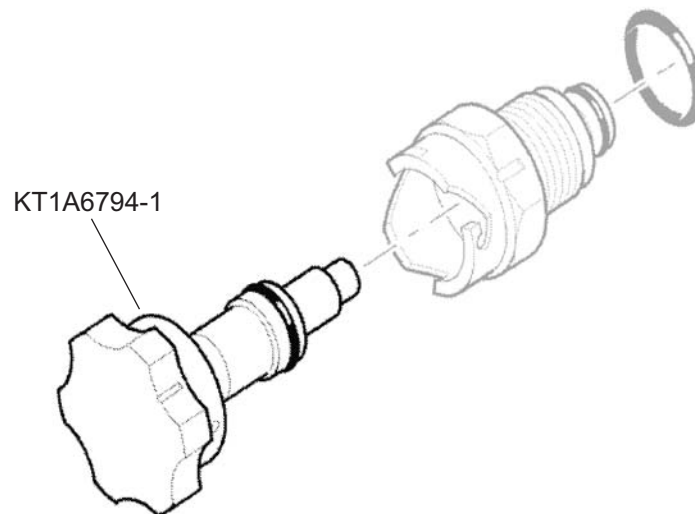
[See FAA-PMA Supplement](#)

IPC Reference:

V2500-79-22

Quantity:

7



Location:

Oil-Magnetic Chip Detector