

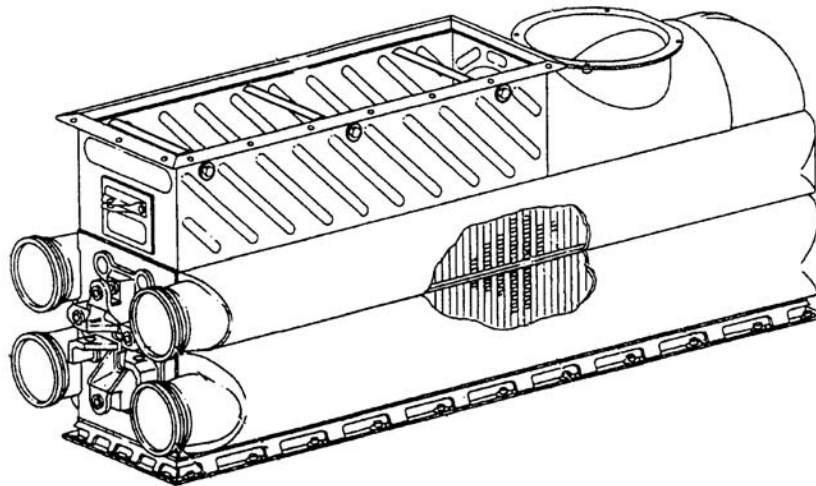
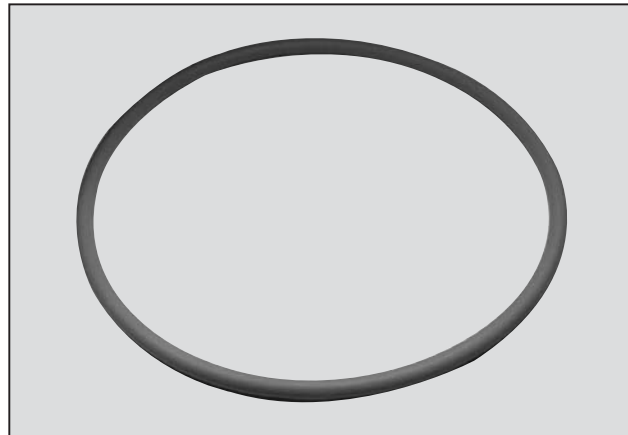
## PACKING - ACM

Jet Avion Part Number JA69494J354  
Sundstrand Part Number 69494J354

**Engine Eligibility:**  
[See FAA/PMA Supplement Index](#)

**IPC Reference:**  
Boeing 777-200-21-52

**Units Per Assembly:**  
12



Jet Avion P/N	FAA-PMA Replacement	Aircraft Eligibility
JA69494J354	69494J354 (Hamilton Sundstrand)	Boeing 777-200 Series

**Location:**  
Primary Inlet & Outlet  
of Heat Exchanger