

POUCH ASSEMBLY-LIFE VEST

Jet Avion Part Number JA1005037-001

B/E Aerospace Part Number 1005037-001

[Next Higher Assembly Part : 1004977](#)

[- Passenger Seat](#)

Eligibility:

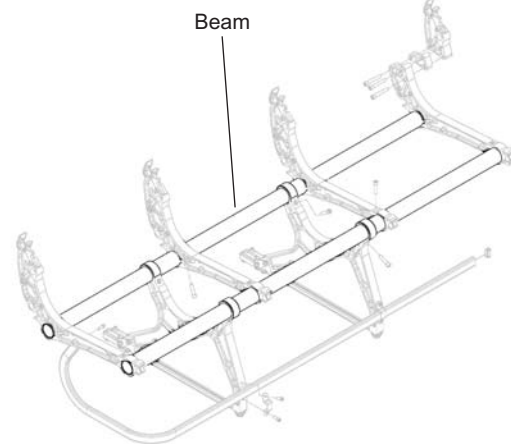
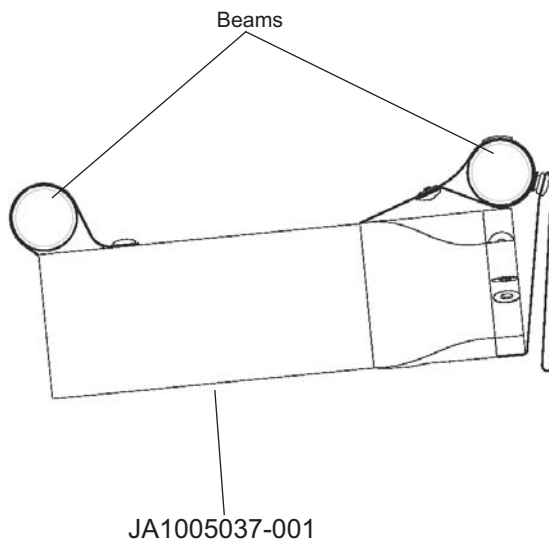
[See FAA-PMA Supplement](#)

IPC Reference:

B737-25-22

Quantity:

1



Location:

Frame Assembly - Triple