

HEICO

END CAP ASSY-BIN, RH

Turbine Kinetics Part Number: HCB31-057-2AFKT

AIM Aviation Part Number: HCB31-057-2AF

Next Higher Assembly Part Number: HCB31-378-1AF: Stowage Bin Assy

Eligibility:

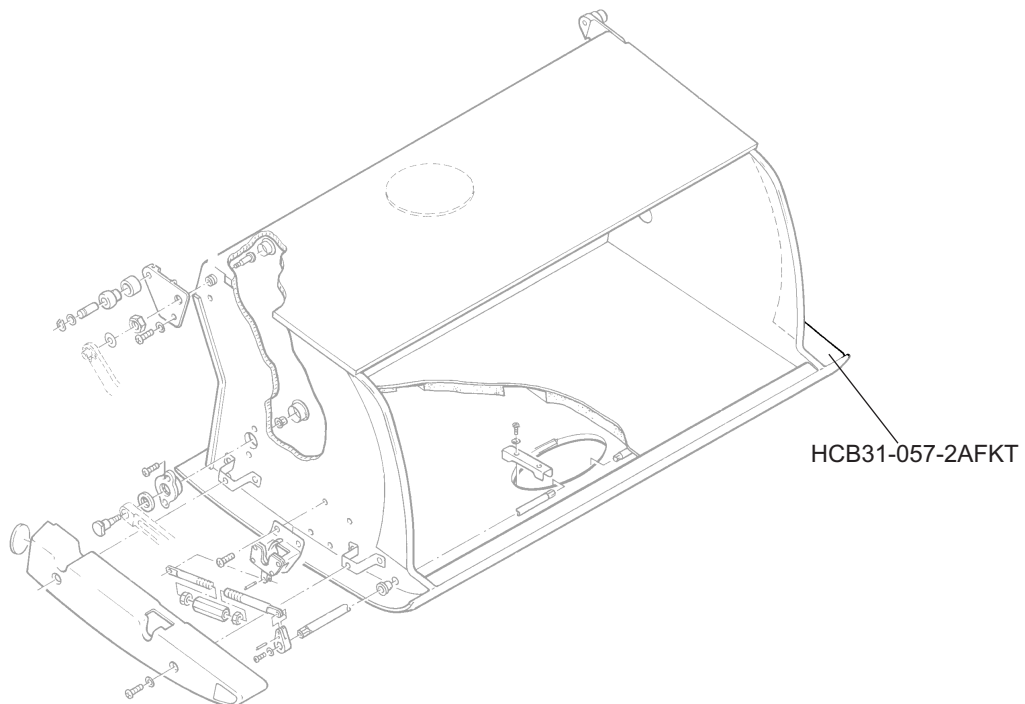
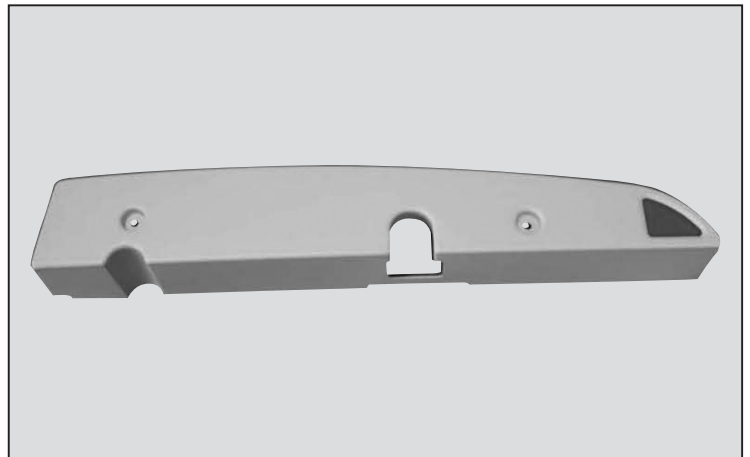
[See FAA PMA Supplement](#)

IPC Reference:

A340-25-20

Quantity:

26 per Aircraft



Location:

Stowage Bin Assy