

# HEICO

## END CAP ASSY-BIN, LH

Turbine Kinetics Part Number: HCB31-057-1AFKT

AIM Aviation Part Number: HCB31-057-1AF

Next Higher Assembly Part Number: HCB31-378-1AF: Stowage Bin Assy

**Eligibility:**

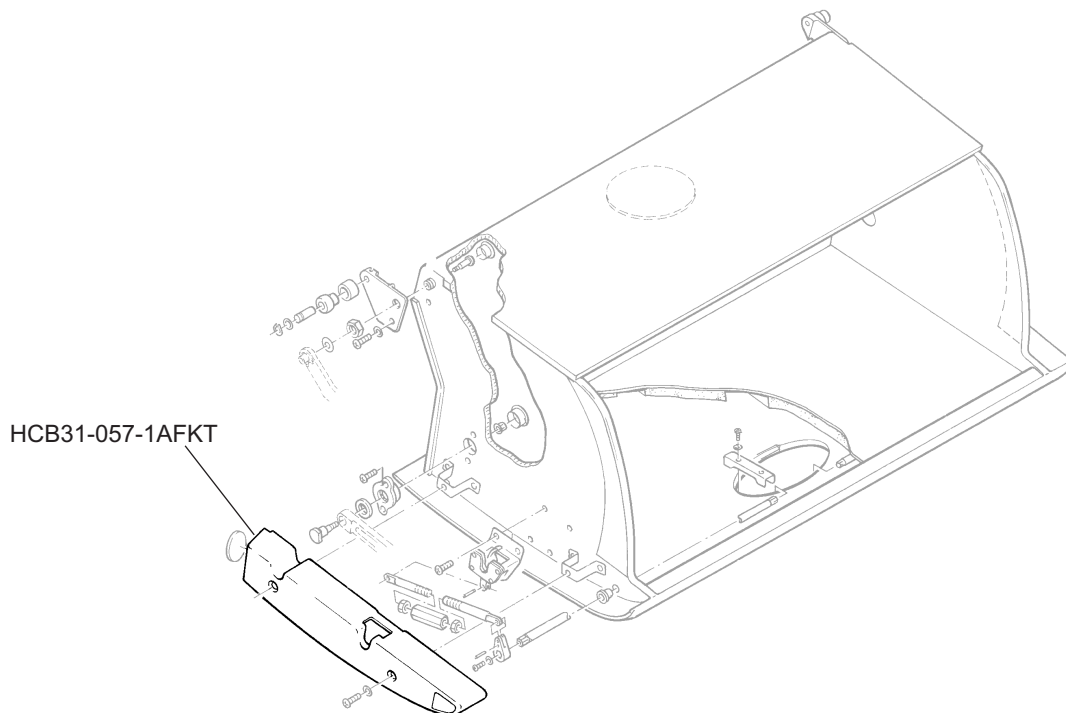
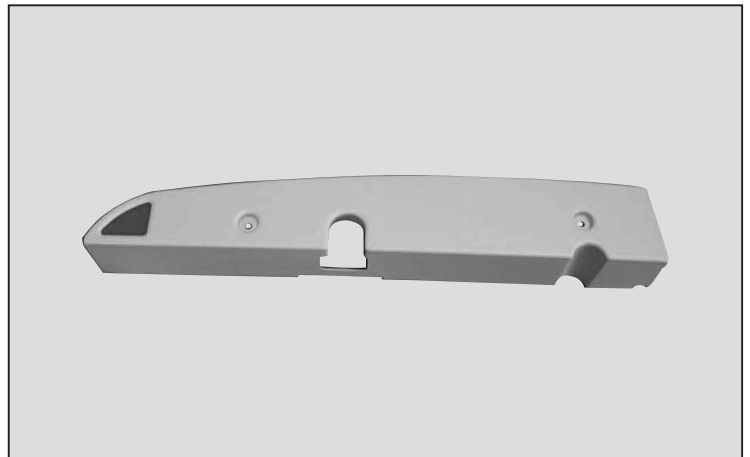
[See FAA PMA Supplement](#)

**IPC Reference:**

A340-25-20

**Quantity:**

25 per Aircraft



**Location:**

Stowage Bin Assy