

HEICO

SEAL-COWL FINGER

Turbine Kinetics Part Number: F78AE513020400DEC

Aircelle, Safran Group Part Number: F78AE513020400

Next Higher Assembly Part Number: F78AE5105000, F78AE5105001 - Outer Cowl Assembly

Eligibility:

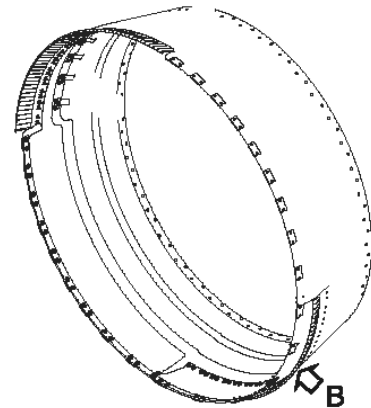
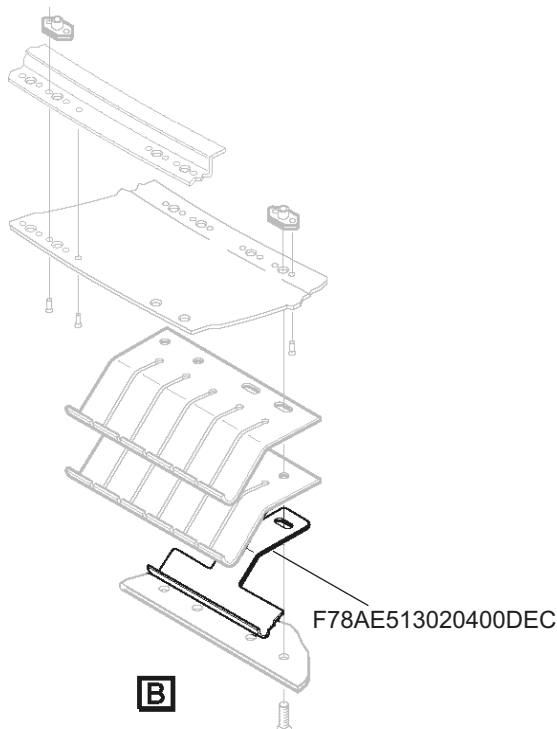
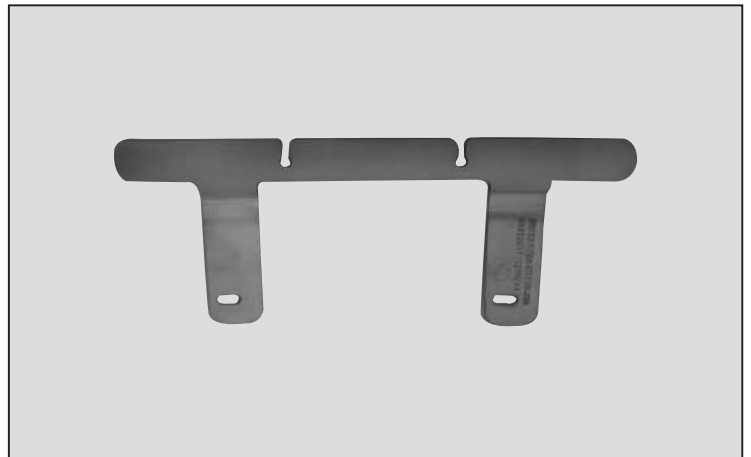
[See FAA PMA Supplement](#)

IPC Reference:

RB211-78-11

Quantity:

2 per Engine



Location:

Outer Cowl Assembly