

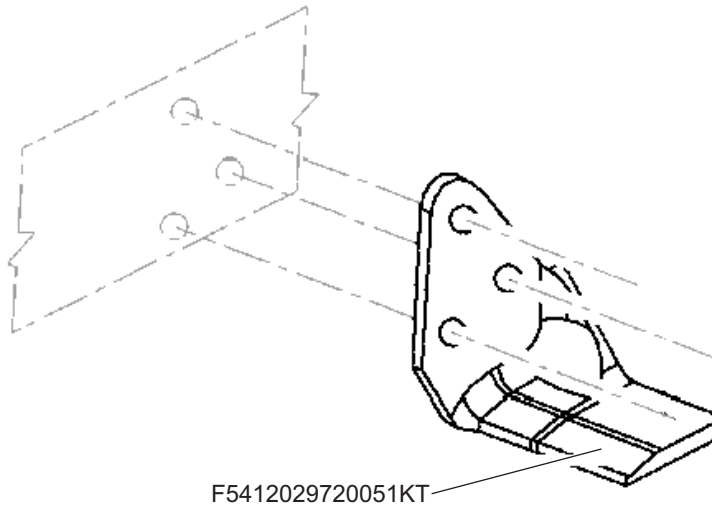
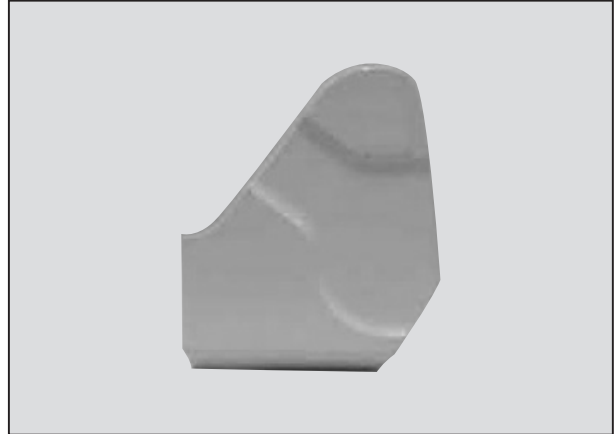
## RESTRAINER-6 O'CLOCK

Turbine Kinetics Part Number F5412029720051KT  
Aircelle Part Number F5412029720051  
[Next Higher Assembly : F5412000100000](#)  
[- Bulkhead Insl-Aft.](#)

**Eligibility:**  
[See FAA-PMA Supplement](#)

**IPC Reference:**  
A340-71-61

**Quantity:**  
1



**Location:**  
Identification Plate and Service Bulletin Plate