

COUPLING

Jet Avion Part Number DN30335-550

Goodrich Part Number 30335-550

[Next Higher Assembly Part :](#)
[- Pneumatic System](#)

Eligibility:

[See FAA-PMA Supplement](#)

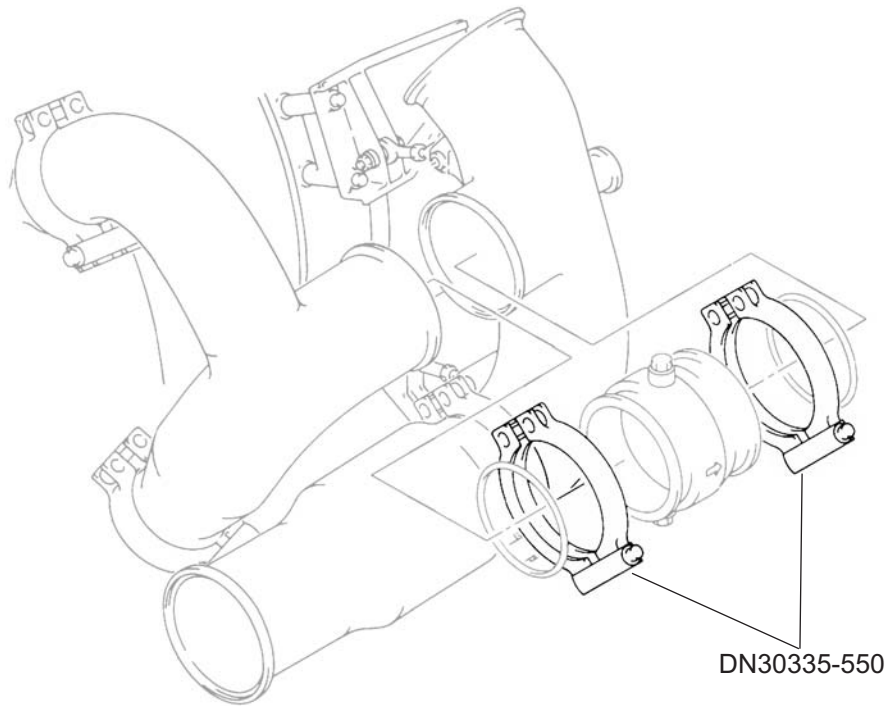
IPC Reference:

CF6-80C2-36-11

CF6-80C2-71-00

Quantity:

3



Location:

Pneumatic System Instl.