

# HEICO

## SPRING, CLUTCH

**Turbine Kinetics Part Number: DEC728832-9**

**Hamilton Sundstrand Part Number: 728832-9**

Next Higher Assembly Part Number: 740179, 763569, 774860, 811050 - Pneumatic Starter

**Eligibility:**

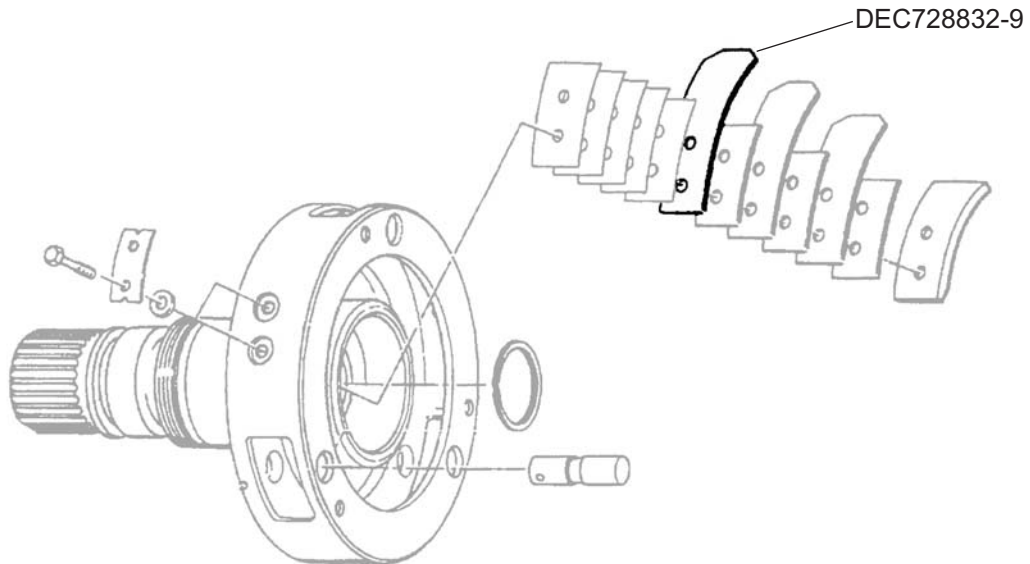
[See FAA PMA Supplement](#)

**IPC Reference:**

A300-80-12, A310-80-12, A330-80-11  
747-80-11, 767-80-11, 767-80-12,  
777-80-11, MD-11-80-12, L1011-80-11

**Quantity:**

From 6 to 12



**Location:**

Clutch Shaft and Spring