

## RUB PAD

Turbine Kinetics Part Number DEC59-159-501

Boeing Part Number 314N3310-2

Next Higher Assembly Part : 314N3310-23, -24, -31, -34, -35  
- Primary Exhaust Nozzle Assembly

**Eligibility:**

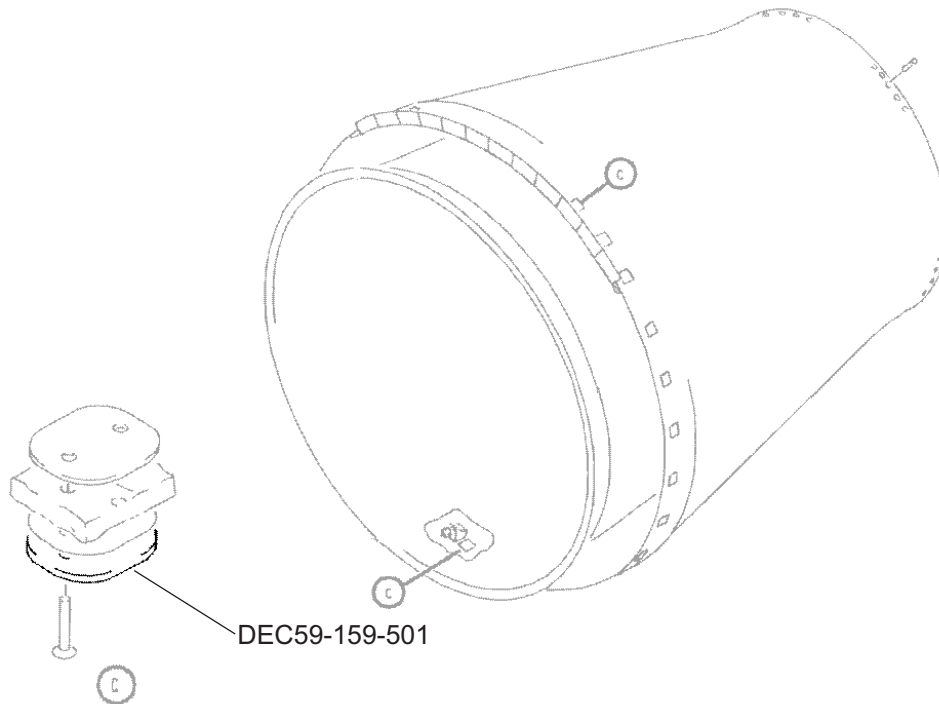
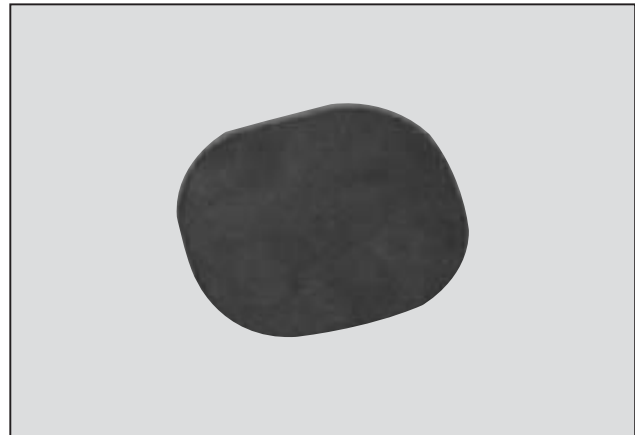
[See FAA-PMA Supplement](#)

**IPC Reference:**

B757-78-11

**Quantity:**

24



**Location:**

Primary Exhaust Nozzle Assembly