

PIN-DEACTIVATION

Turbine Kinetics Part Number DEC59-130-502

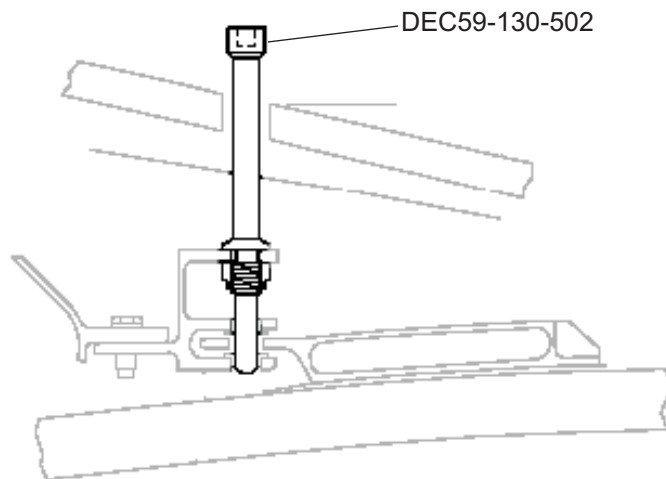
Boeing Part Number 315A2258-2

[Next Higher Assembly Part :](#)
[-Thrust Reverser Sleeve Deactivation](#)

Eligibility:
[See FAA-PMA Supplement](#)

IPC Reference:
B757-25-10

Quantity:
4



Location:
Thrust reverser Sleeve Deactivation