

INNER SPRING, RH SIDE

Turbine Kinetics Part Number DEC59-101-503

Boeing Part Number 315N3307-18

[Next Higher Assembly : 315N3002-47 / -63 / -77 / -73](#)
[- Cowl Assembly-Fan Duct \(Exhaust Only\)](#)

Eligibility:

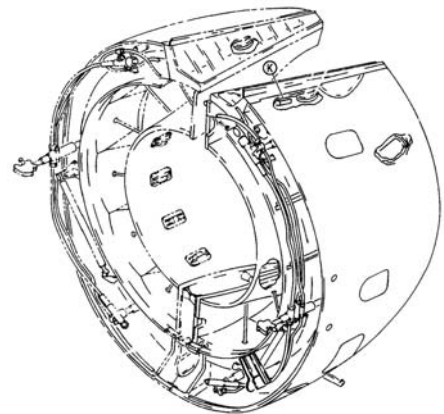
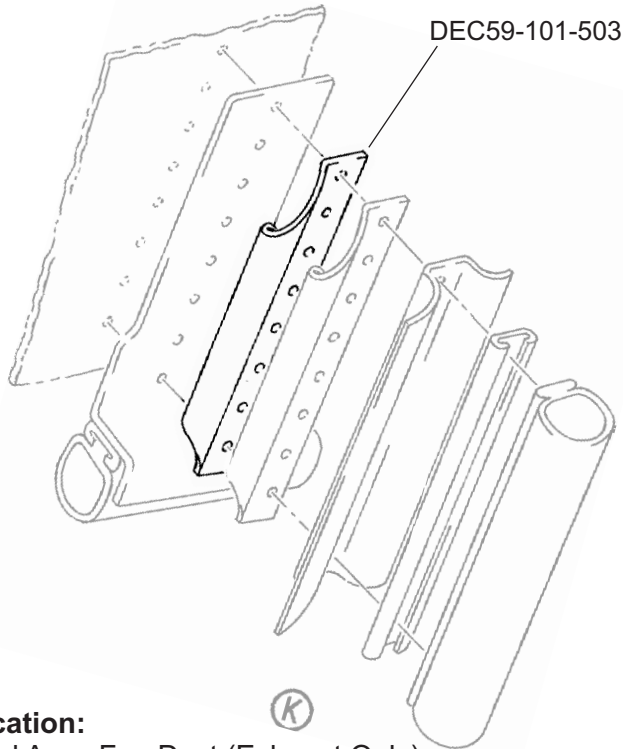
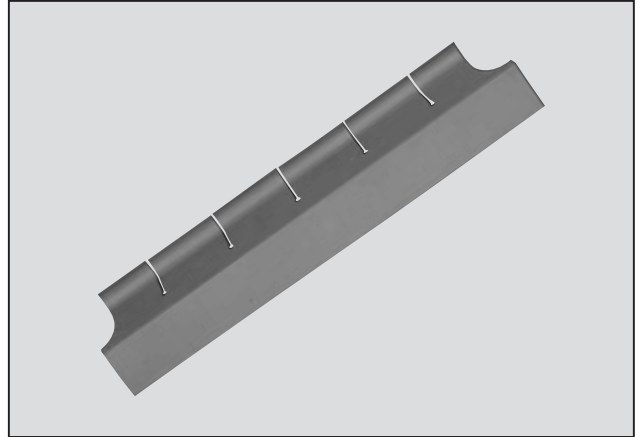
[See FAA-PMA Supplement](#)

IPC Reference:

B757-78-31

Quantity:

1



Location:

Cowl Assy-Fan Duct (Exhaust Only)