

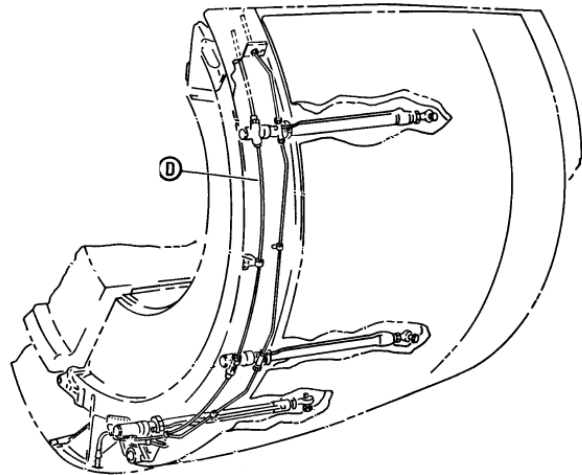
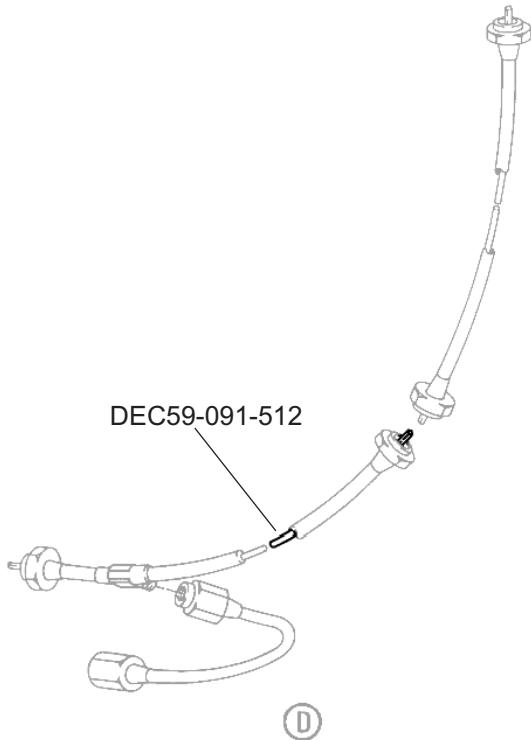
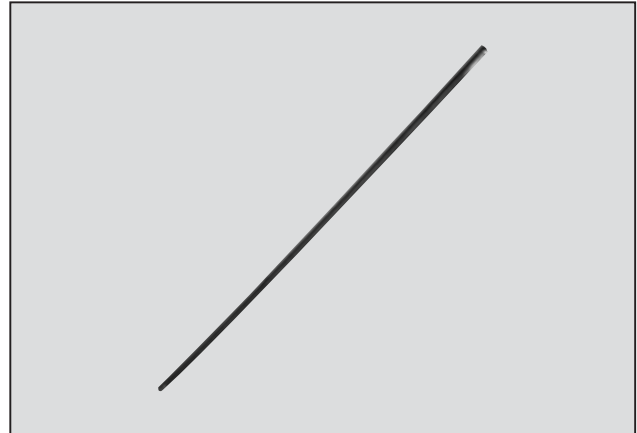
SHAFT - FLEX DRIVE

Turbine Kinetics Part Number DEC59-091-512
Parker Hannifin Part Number 4241040-12

Eligibility:
[See FAA-PMA Supplement](#)

IPC Reference:
B757-78-31

Quantity:
2



Location:
Actuator Sys-Fan Thrust Reverser Duct
Translating Cowl