

# HEICO

## SHAFT ASSEMBLY, FLEXIBLE

---

Turbine Kinetics Part Number: DEC39-166-513

Honeywell Part Number: 121282-22

**Eligibility:**

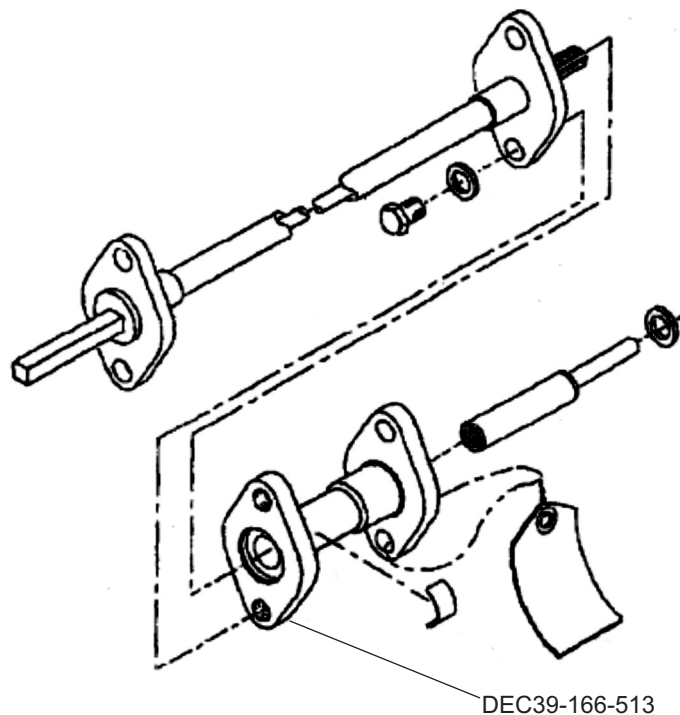
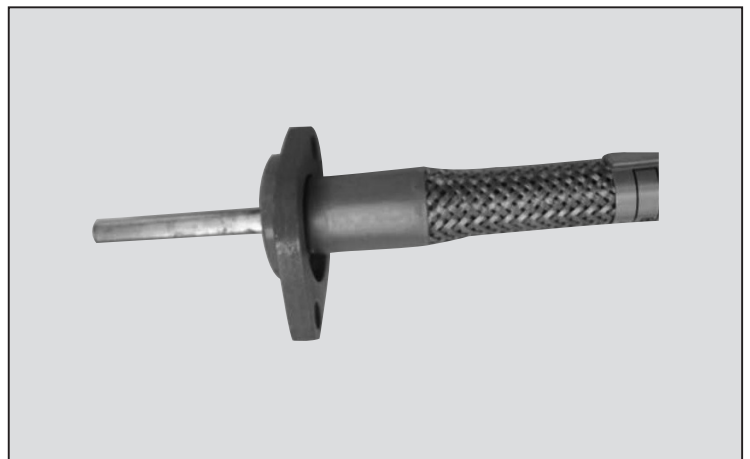
[See FAA PMA Supplement](#)

**IPC Reference:**

Honeywell 78-31

**Quantity:**

1



**Location:**

Flexible Shaft Assembly