

CLAMP BLOCK

Turbine Kinetics Part Number DEC332W3120-1

Boeing Part Number 332W3120-1

[Next Higher Assembly : 332W3100-1, 332W3100-100, 332W3100-103, 332W5100-205](#)
[- Plumbing Instl - Eng Buildup](#)

Eligibility:

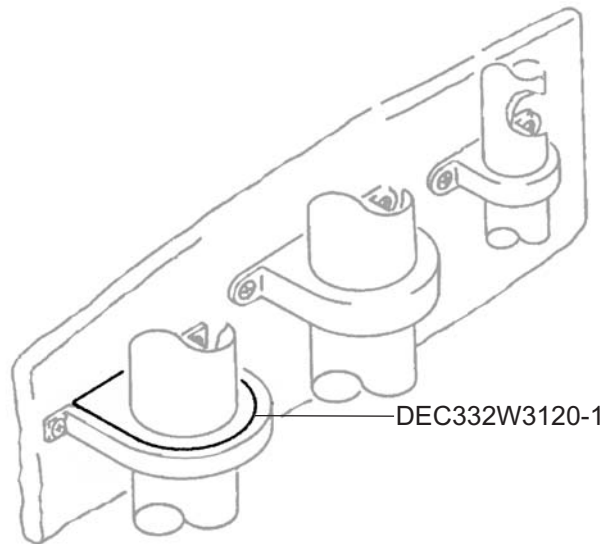
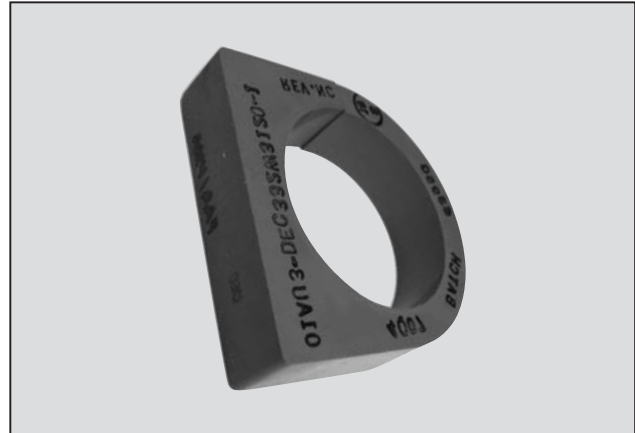
[See FAA-PMA Supplement](#)

IPC Reference:

B777-29-11
B777-71-00

Quantity:

From 6 to 8



Location:

Plumbing Instl-Eng
Buildup Hydr Sys.