

RUBSTRIP

Turbine Kinetics Part Number DEC314-2209-17

Goodrich Corporation Part Number 314-2209-17

[Next Higher Assembly Part : 314-2200-1, -13](#)

[- Cowl Assy - Fan](#)

Eligibility:

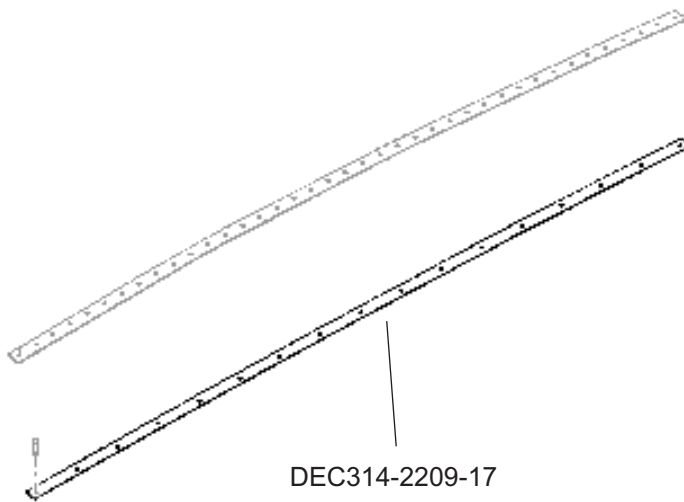
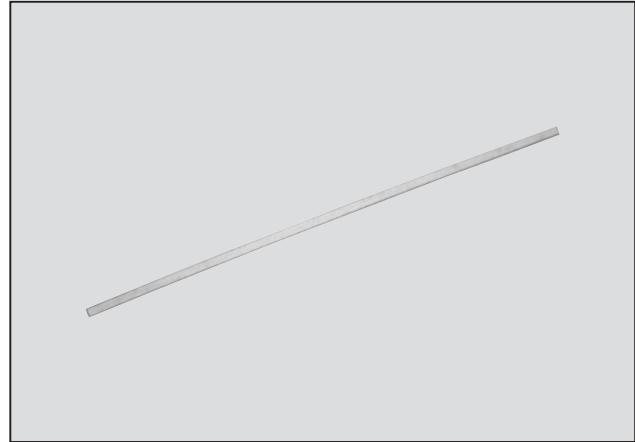
[See FAA-PMA Supplement](#)

IPC Reference:

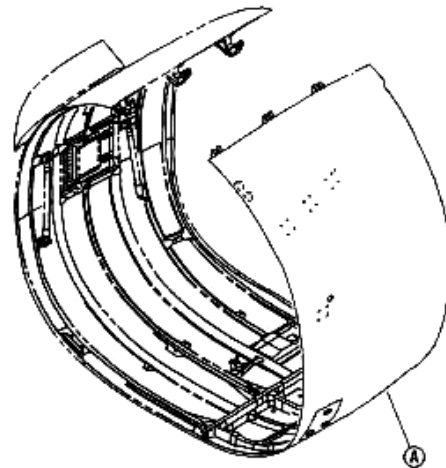
B737-71-11

Quantity:

2



DEC314-2209-17



Location:

Cowl Assy-Fan LH