

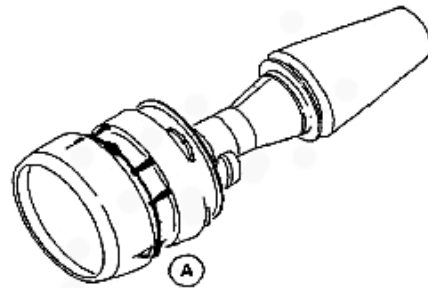
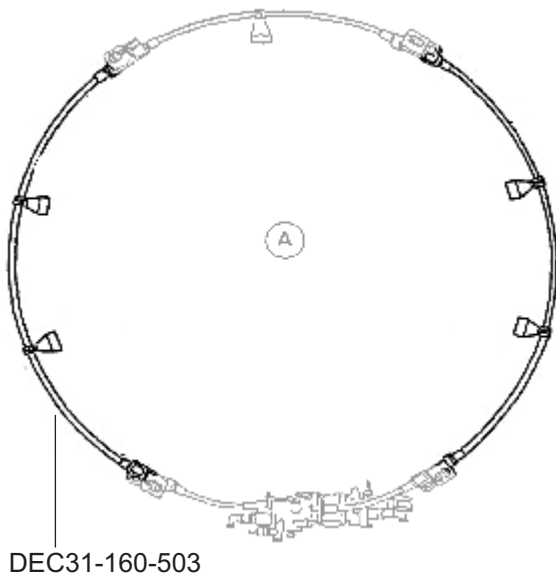
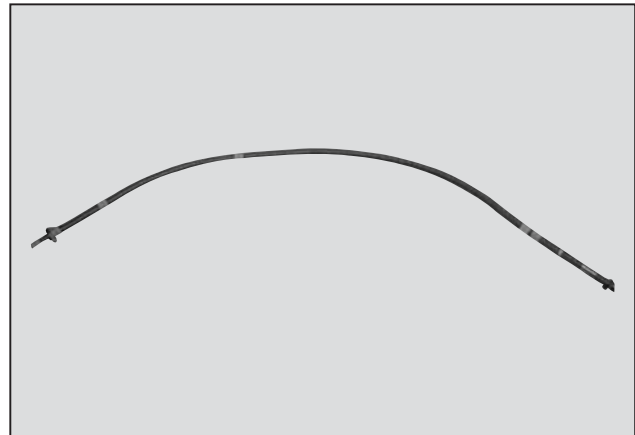
SHAFT ASSEMBLY, FLEXIBLE

Turbine Kinetics Part Number DEC31-160-503
Honeywell Part Number 121754-2

Eligibility:
[See FAA-PMA Supplement](#)

IPC Reference:
CRJ-78-32

Quantity:
2



Location:
Flexible Shafts