

SHAFT

Turbine Kinetics Part Number DEC2293-13

Liebherr Part Number 2293-13

[Next Higher Assembly : 2293B010000, 2293B020000, 2290B010000](#)
- Valve, Check

Eligibility:

[See FAA-PMA Supplement](#)

IPC Reference:

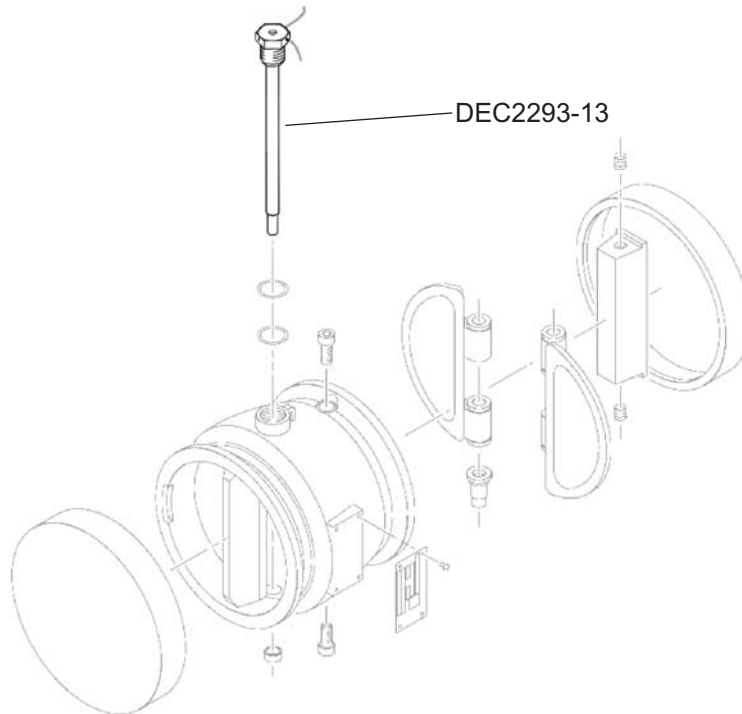
MD-90 78-30

A319-36-11, A320-36-11

A321-36-11, A340-36-11

Quantity:

1



Location:

Check Valve