

## MASTER CHIP COLLECTOR

DEC Technologies Part Number DEC1A1869  
Eaton Corp Part Number 1A1869

**Eligibility:**

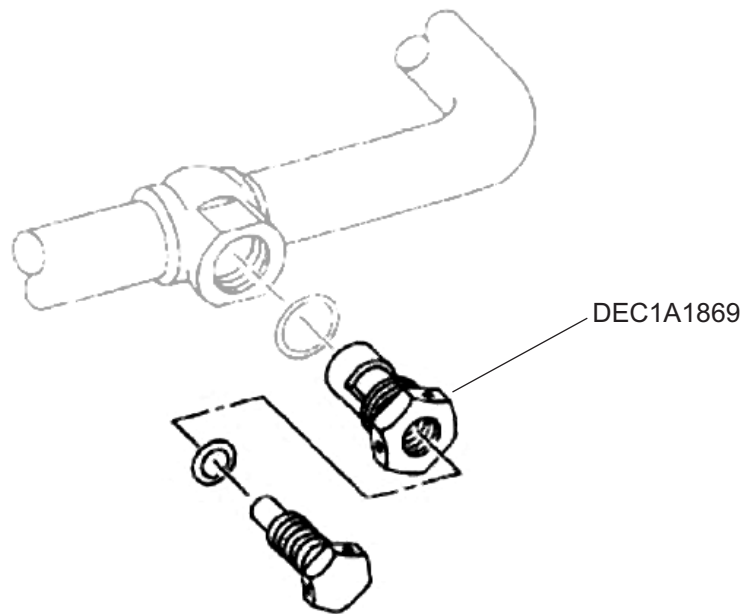
[See FAA-PMA Supplement](#)

**IPC Reference:**

CF6-80A-72-00  
CF6-80C2-72-00  
CF6-80C2-79-22  
CF6-80E-72-00  
CF6-80E-79-21

**Quantity:**

1



**Location:**

Lubrication System-Magnetic Plug