

HEICO

CUSHION-DOOR OPENING

Seal Dynamics Part Number: D72D71546-111SD

Boeing Part Number: D72D71546-111

Next Higher Assembly Part Number: D72W12011-111 - Outwall Assy-Lav D

Eligibility:

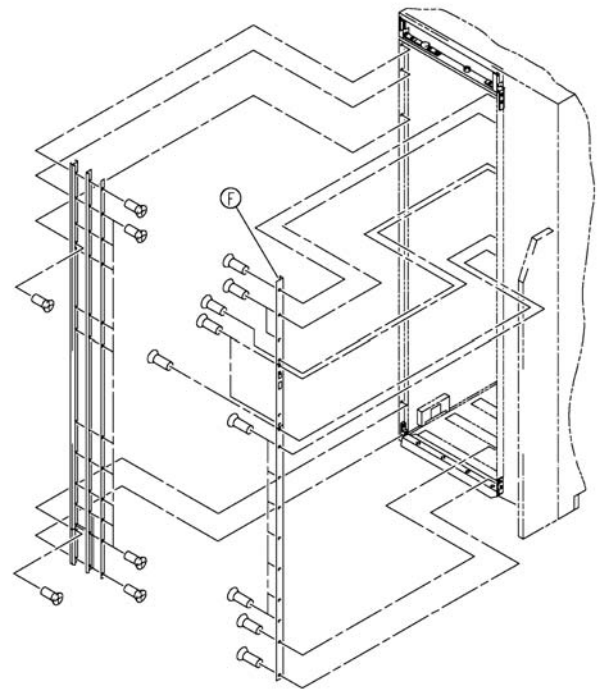
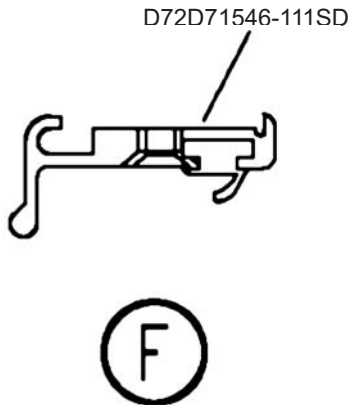
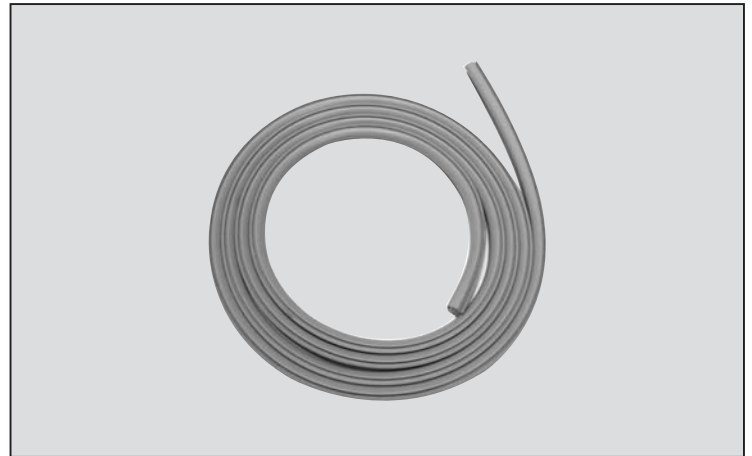
[See FAA PMA Supplement](#)

IPC Reference:

B737-25-41

Quantity:

1 per Unit



Location:

Outwall Assy - Lav D