

PIP PIN

Turbine Kinetics Part Number BLS4R12NL4C4KT

Sicma Aero Seat Part Number BLS4R12NL4C4

[Next Higher Assembly Part Number: F0406324](#)
[- Backrest Assy. Narrow](#)

Eligibility:

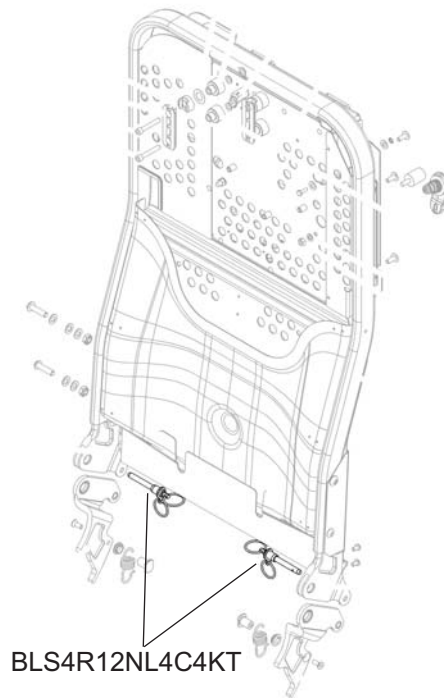
[See FAA-PMA Supplement](#)

IPC Reference:

B777-25-00

Quantity:

2



Location:

Backrest Equipped