

LINK ASSY.-DRAG

Turbine Kinetics Part Number APL3180-01-0DEC

Aircelle, Safran Group Part Number APL3180-01-0

Next Higher Assembly Part : APL0010-90-0, APL0050-90-0
- Reverser-Half Thrust

Eligibility:

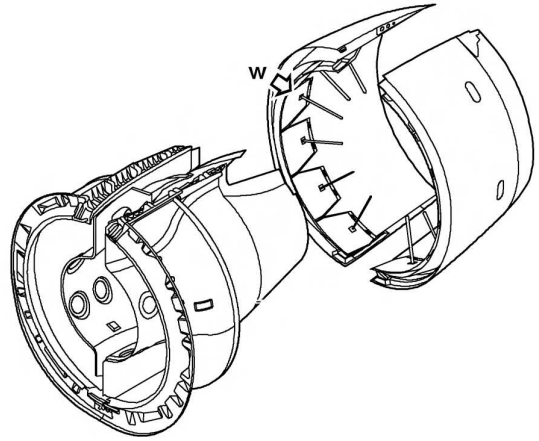
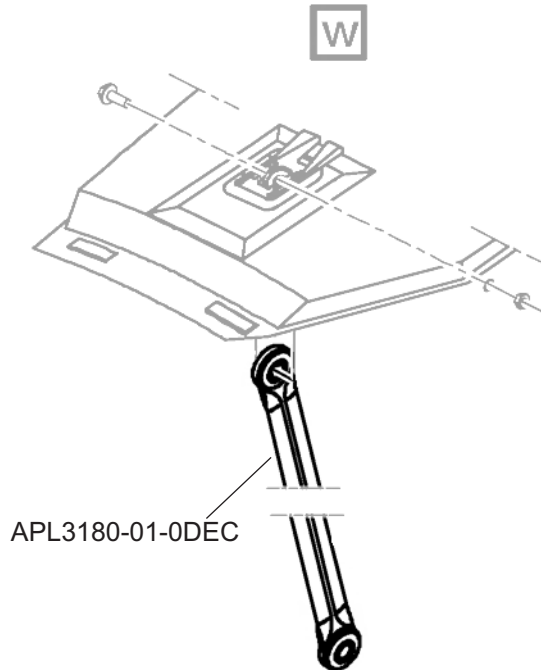
[See FAA-PMA Supplement](#)

IPC Reference:

A340-78-30

Quantity:

48



Location:

Translating Cowl Link