

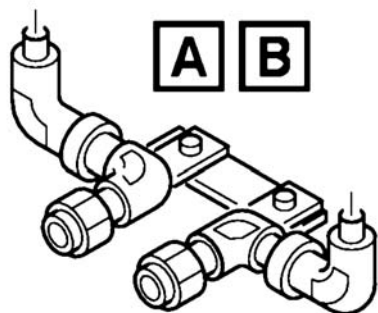
JOINT ASSY-SWIVEL

Turbine Kinetics Part Number AE76853GKT
Eaton Corp Part Number AE76853G
[Next Higher Assembly : D9347013100061](#)
[- Plumbing Instl-Keel Beam](#)

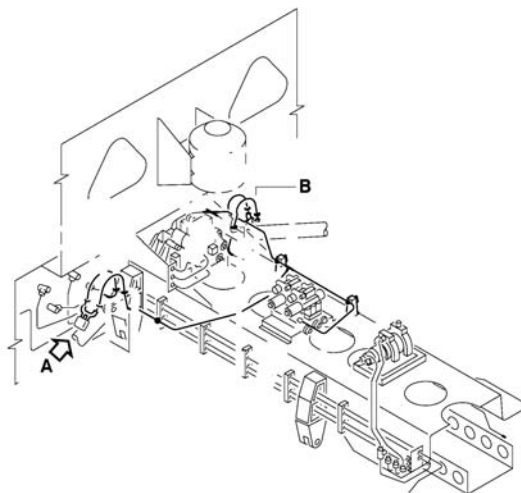
Eligibility:
[See FAA-PMA Supplement](#)

IPC Reference:
A319-32-31
A320-32-31
A321-32-31

Quantity:
2



AE76853GKT



Location:
Plumbing Instl-Keel Beam