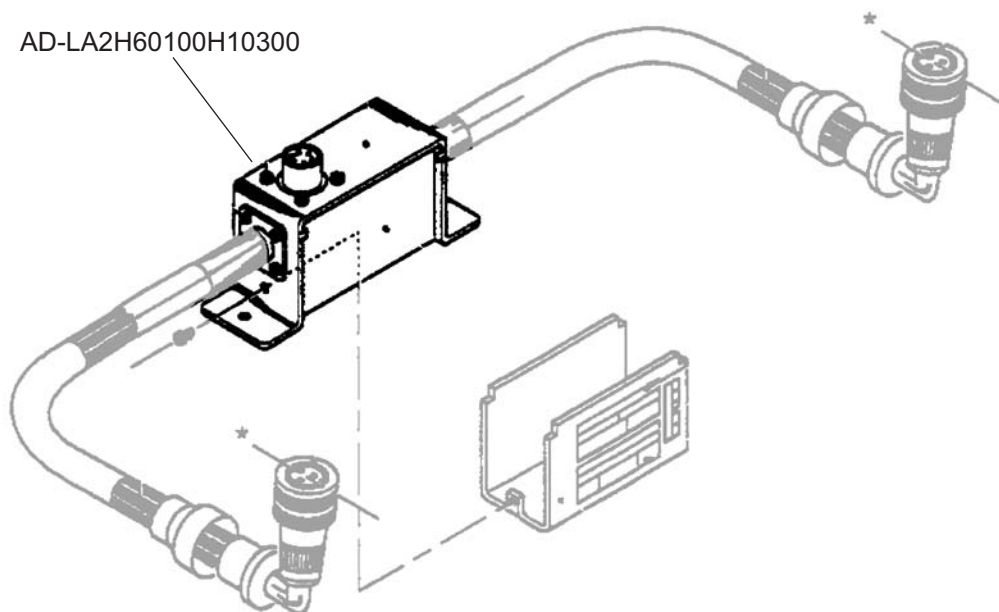


WIRED ASSY
Aero Design Part Number AD-LA2H60100H10300
Thales Avionics Part Number LA2H60100H10300
[Next Higher Assembly: 35-1H5-1001, 35-1H5-1002](#)
[- Brake Temperature Monitoring Unit](#)

Eligibility:
[See FAA-PMA Supplement](#)

IPC Reference:
32-47

Quantity:
Up to 1 per NHA



Location:
Brake Temperature Monitoring Unit