

HEICO

SENSOR, TEMPERATURE

Aero Design Part Number: AD-9105A0005-02

Liebherr Part Number: 9105A0005-02

Eligibility:

[See FAA PMA Supplement](#)

IPC Reference:

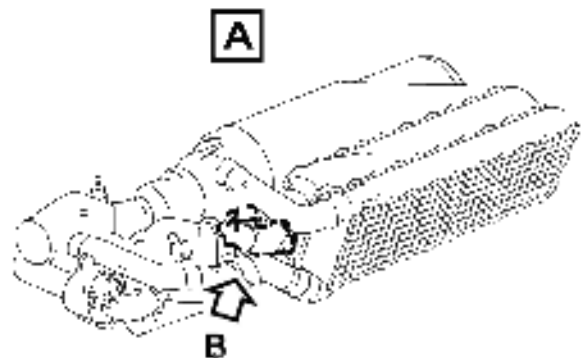
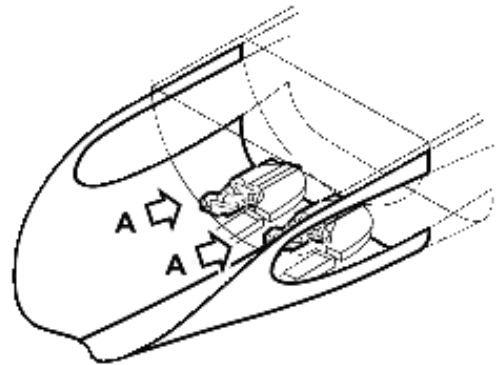
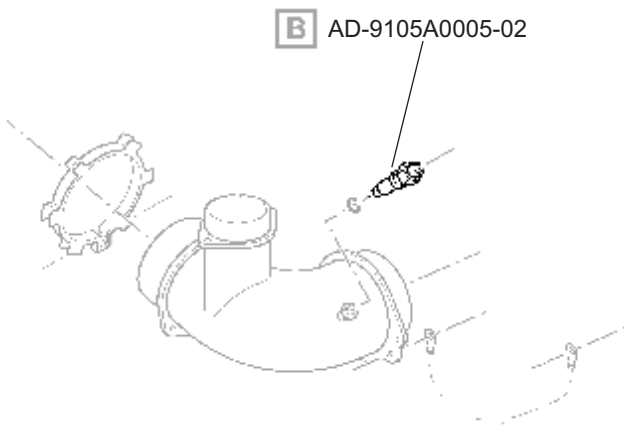
21-61

21-52

21-53

Quantity:

From 2 to 8 per Aircraft



Location:

Sensor Instl-Bleed Temperature