

SCREW

Aero Design Part Number AD-774-026-86

Diehl Aerospace Part Number 774-026-86

[Next Higher Assembly: 3214-31](#)

[- Battery](#)

Eligibility:

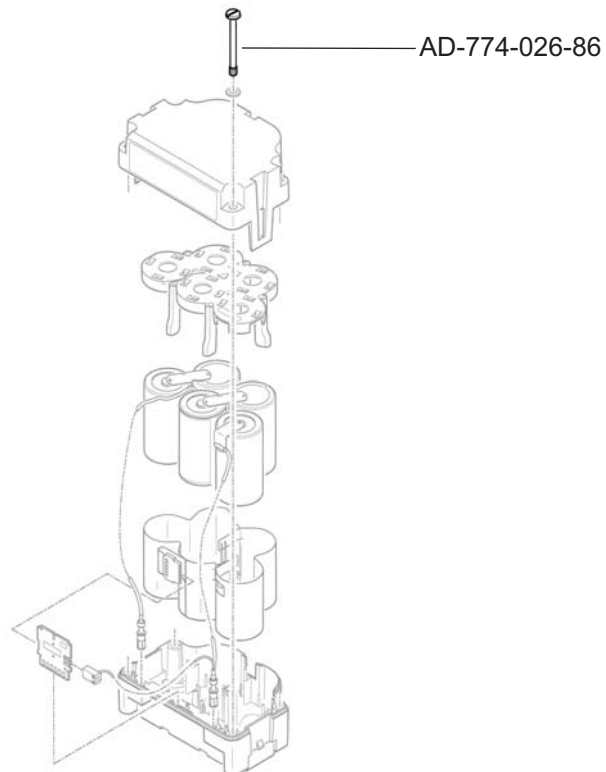
[See FAA-PMA Supplement](#)

IPC Reference:

33-51

Quantity:

4 per NHA



Location:

Battery