

# HEICO

## HANDSET REAR

**Aero Design Part Number: AD-5583-24**

**Avtech Part Number: 5583-24**

Next Higher Assembly Part Number: 5583-1 - Interphone Handset

**Eligibility:**

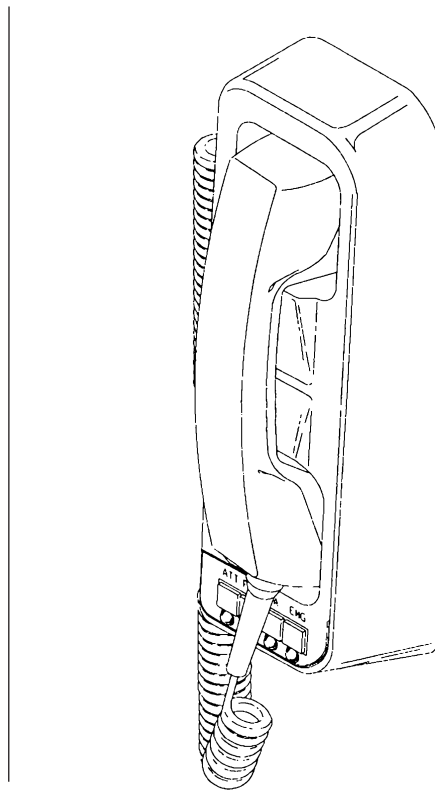
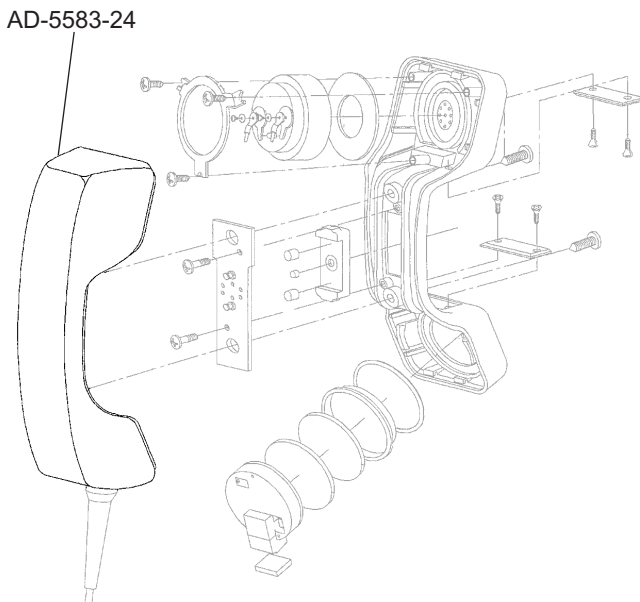
[See FAA PMA Supplement](#)

**IPC Reference:**

23-31

**Quantity:**

1 per NHA



**Location:**

Interphone Handset / Cradle