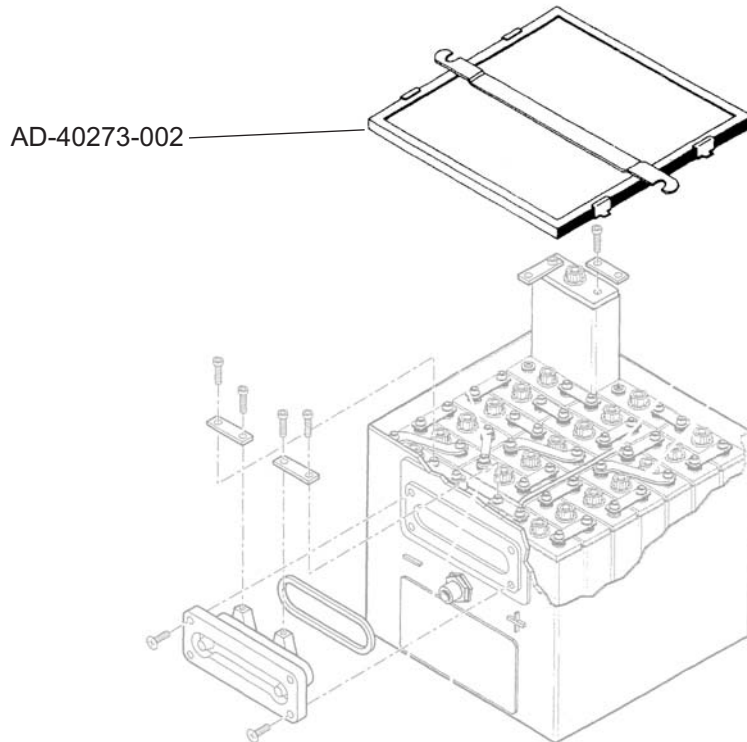


**COVER MARKED**  
**Aero Design Part Number AD-40273-002**  
Honeywell Part Number 40273-002  
[Next Higher Assembly:1152112-2](#)  
[- Battery](#)

**Eligibility:**  
[See FAA-PMA Supplement](#)

**IPC Reference:**  
24-34

**Quantity:**  
1



**Location:**  
Aircraft Battery