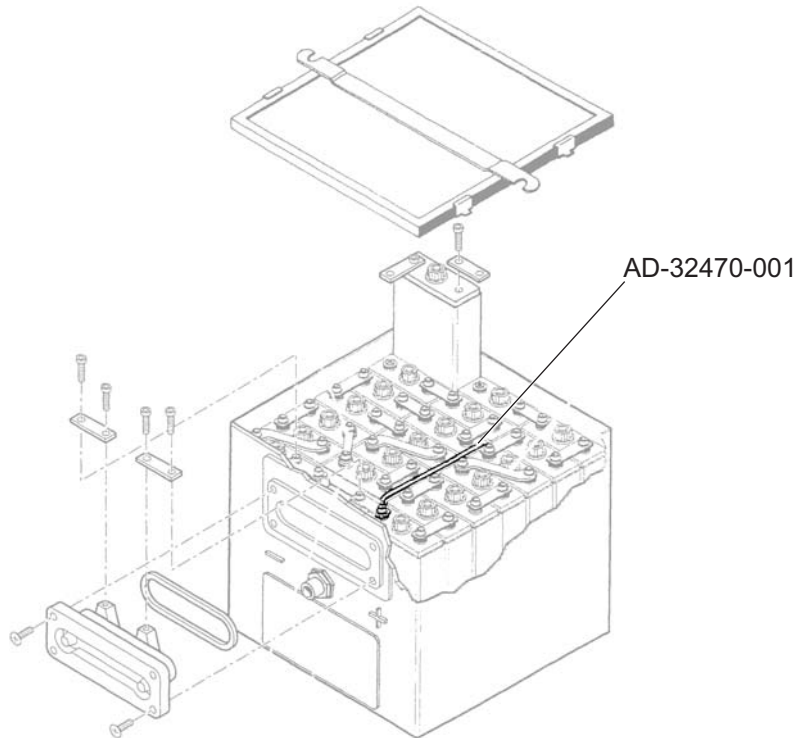


TEMPERATURE SENSOR
Aero Design Part Number AD-32470-001
Marathon Power Technologies Part Number 32470-001
[Next Higher Assembly: 1152112-2](#)
[- Battery](#)

Eligibility:
[See FAA-PMA Supplement](#)

IPC Reference:
24-34
24-32

Quantity:
Up to 1



Location:
Aircraft Battery